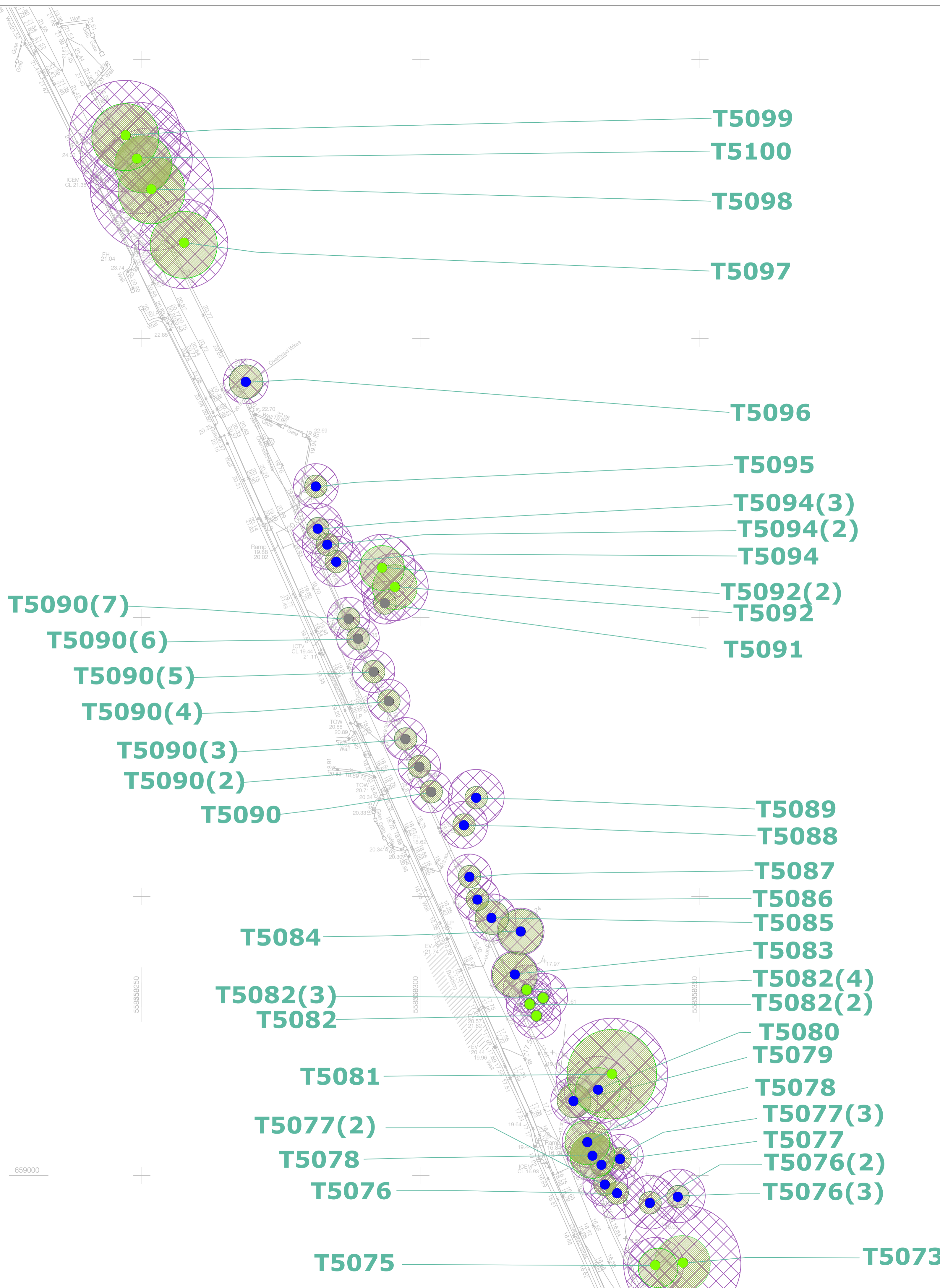


Notes
Please refer to when reading this plan



Rev.	Date	Description

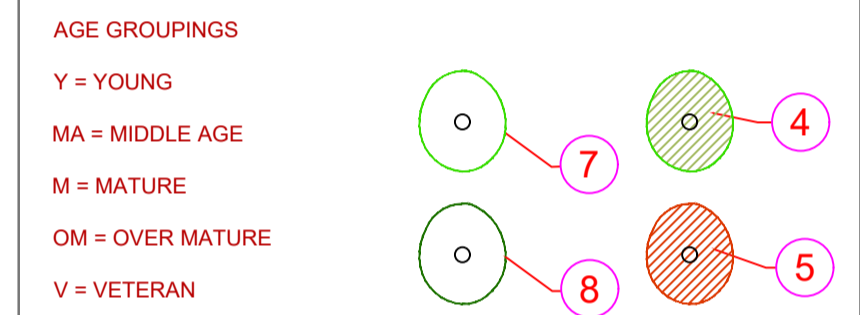
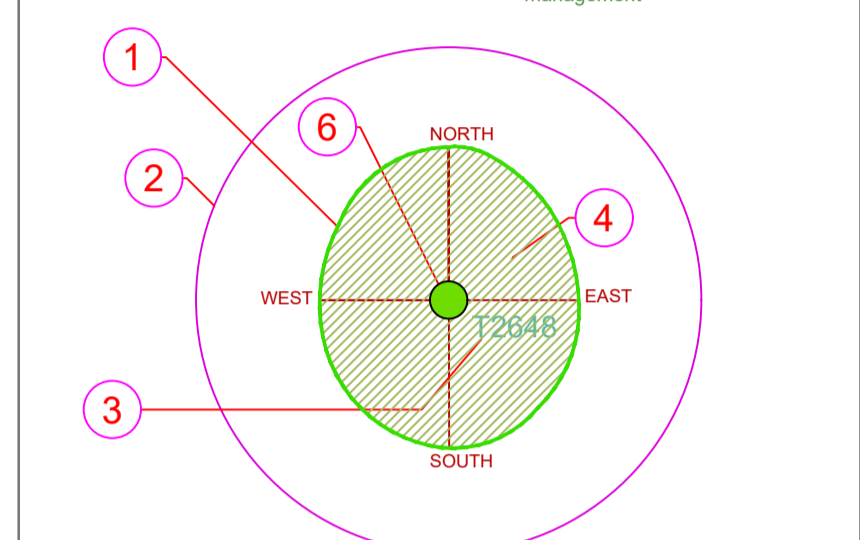
Legend:

Category (A, A1, A2, A3) Those of high quality and value: in such a condition as to be able to make a substantial contribution (a minimum of 40 years)

Category (B, B1, B2, B3) Those of moderate quality and value: those in such a condition as to make a significant contribution (a minimum of 20 years)

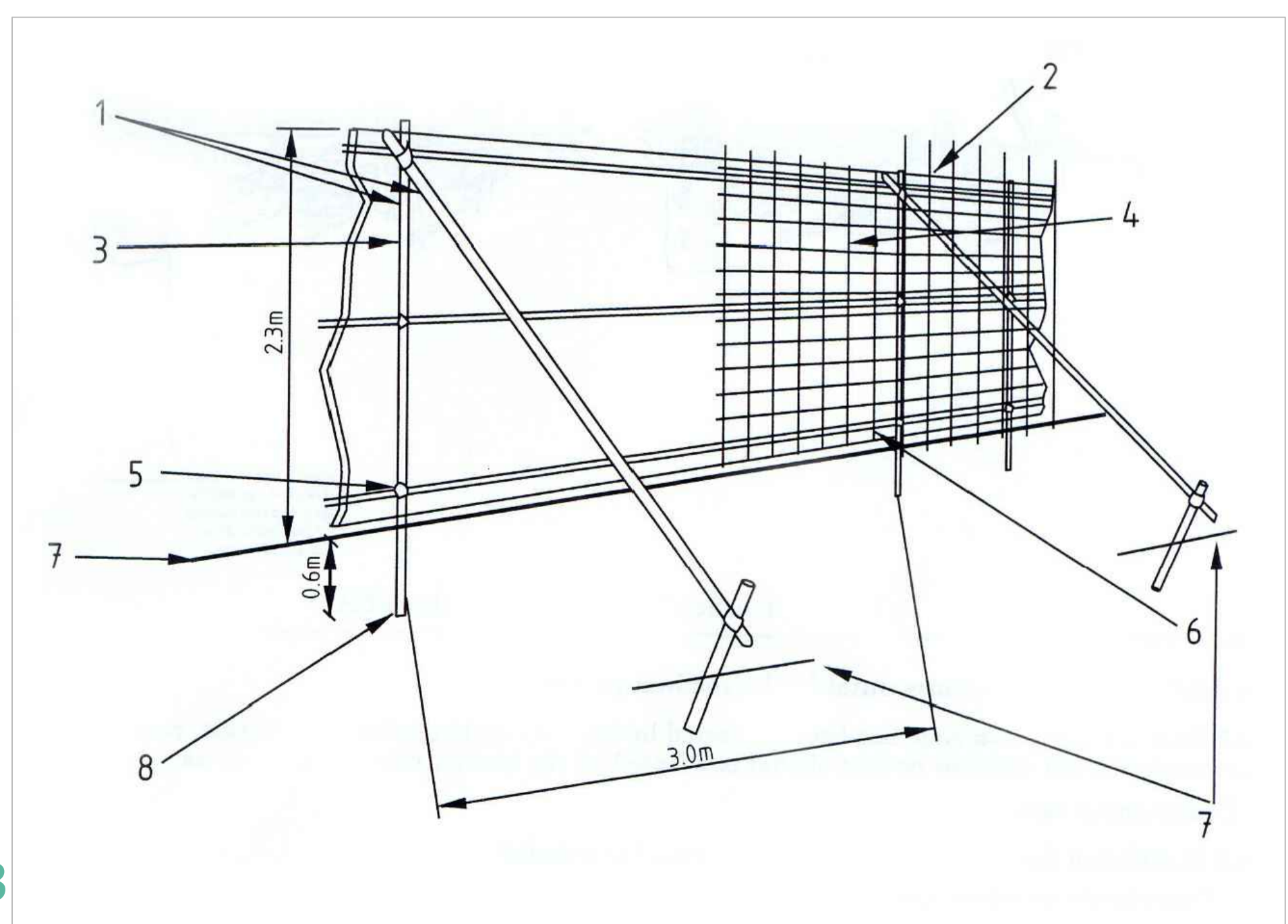
Category (C, C1, C2, C3) Those of low quality and value: currently in adequate condition to remain until new planting could be established (a minimum of 10 years) or young trees with a stem diameter below 150mm

Category (U) Those in such condition that any existing value would be lost within 10 years and which should, in the current context, be removed for reason of sound arboricultural management



- 1 EXISTING TREE CANOPY BASED ON DIMENSIONS GATHERED ON SITE IN 4 DIRECTIONS, NORTH, SOUTH, EAST AND WEST
- 2 ROOT PROTECTION ZONE BASED ON 12 TIMES THE (DBH) AT CHEST HEIGHT
- 3 TREE TAG NUMBER
- 4 TREE TO BE RETAINED
- 5 TREE TO BE REMOVED
- 6 TREE CATEGORY BASED ON BS:5837 2012 CRITERIA
- 7 DECIDUOUS TREE CANOPY
- 8 EVERGREEN TREE CANOPY

01 TABLES BS 5837-2012



Client: Limerick County Council

Project: Topographical Survey for ST1 Mill Road, Corbally

Drawing Title: Tree Survey Mill Road, Corbally

Drawn By: JL	Checked By: MG	Date: 12/06/2020	Scale: 1:400@A1
Drg. No. 2	CAD File: MSL3648_T_3D_ITM	Issued For: Information	Rev. A

Arbor Care
Unit 1a
Crossagalla Enterprise Centre
Ballysimon Road
Limerick
Ireland

Phone: +353 (0)863082808
Fax: +353 (0)61400321
Email: info@arborcare.ie
Web: www.arborcare.ie