



Tech Series

External Lighting



Modern functional LED luminaire, available in 2 sizes. Ideal for roadway applications.

Construction: Die-cast aluminium. IP66. IK08 as standard, IK10 on request. Driver and LED Modules are accessible for maintenance or replacement.

Lens: Tempered glass as standard.

Installation: Luminaire supplied with 76mm mastfitter for post-top mounting as standard. Luminaire available with 60mm mastfitter for outreach/side entry installation on request. Tilttable: 0, 5° or 10°

Finish: Grey RAL 9006 as standard. Other RAL colours on request.

LED: Available in 11w to 142w LED (see ordering codes). CRI 70 on 4K (standard). 3K on request. Asymmetric street optic as standard. See ordering codes for more details.



Life: L70 B10 >100,000 hours. (at 25°C).

Driver: 700mA as Standard. 350mA, 500mA or 1050mA on request. Lifetime (<10% failures): 100,000 hrs.

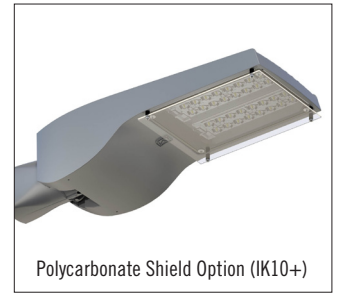
Mains Surge Protection: 10kV device included as standard.

Options: Dimming, DALI, Photocell, various optics available. Heat sink cover available on size 1, wattage needs to be reduced appropriately; Special Version for Marine areas.

Manufactured: EU.

Product Compliance: EN 60598; CE.



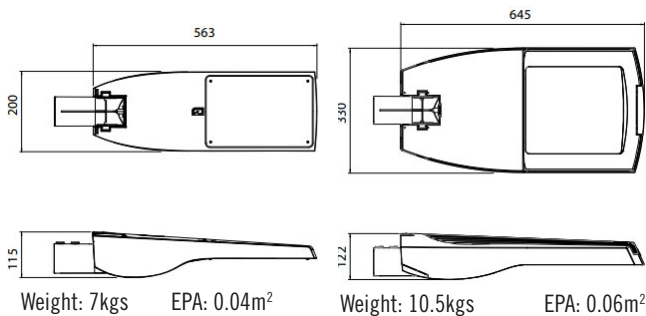


Polycarbonate Shield Option (IK10+)

DIMENSIONS

Size 1

Size 2



All Dimensions in mm.

APPLICATION GUIDE

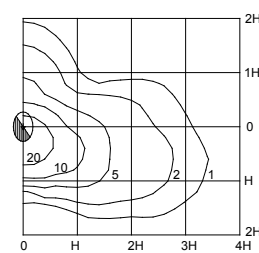
Tech Series - Street Optic (A6)

38w LED 4K

6m Height

Contours in Lux

M. Factor = 0.90



APPLICATION GUIDE

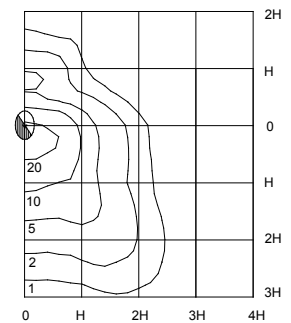
Tech Series - Forward Throw Optic (A9)

38w LED 4K

6m Height

Contours in Lux

M. Factor = 0.90



ORDERING CODE

Wattage	Type	Code - Size 1	Code - Size 2	Details	Optic	Option	Lumens
11w	8 LED	5TCA10GLC	-	Tech Series, 350mA driver, 4K	A8	C5	1150 lm
15w	8 LED	5TCA10GLB	-	Tech Series, 500mA driver, 4K	A8	C5	1560 lm
20w	8 LED	5TCA10GLA	-	Tech Series, 700mA driver, 4K	A8	C5	2050 lm
19w	16 LED	5TCA11GLC	-	Tech Series, 350mA driver, 4K	A6	A8, A9, C4	2300 lm
27w	16 LED	5TCA11GLB	-	Tech Series, 500mA driver, 4K	A6	A8, A9, C4	3120 lm
38w	16 LED	5TCA11GLA	-	Tech Series, 700mA driver, 4K	A6	A8, A9, C4	4105 lm
28w	24 LED	5TCA12GLC	5TCB12GLC	Tech Series, 350mA driver, 4K	A8	C5	3445 lm
40w	24 LED	5TCA12GLB	5TCB12GLB	Tech Series, 500mA driver, 4K	A8	C5	4680 lm
55w	24 LED	5TCA12GLA	5TCB12GLA	Tech Series, 700mA driver, 4K	A8	C5	6155 lm
36w	32 LED	5TCA13GLC	5TCB13GLC	Tech Series, 350mA driver, 4K	A6	A8, A9, C4	4595 lm
52w	32 LED	5TCA13GLB	5TCB13GLB	Tech Series, 500mA driver, 4K	A6	A8, A9, C4	6235 lm
73w	32 LED	5TCA13GLA	5TCB13GLA	Tech Series, 700mA driver, 4K	A6	A8, A9, C4	8205 lm
54w	48 LED	-	5TCB14GLC	Tech Series, 350mA driver, 4K	A6	A9, C4	6895 lm
77w	48 LED	-	5TCB14GLB	Tech Series, 500mA driver, 4K	A6	A9, C4	9355 lm
108w	48 LED	-	5TCB14GLA	Tech Series, 700mA driver, 4K	A6	A9, C4	12310 lm
69w	64 LED	-	5TCB15GLC	Tech Series, 350mA driver, 4K	A6	A9, C4	9190 lm
100w	64 LED	-	5TCB15GLB	Tech Series, 500mA driver, 4K	A6	A9, C4	12475 lm
142w	64 LED	-	5TCB15GLA	Tech Series, 700mA driver, 4K	A6	A9, C4	16415 lm

OPTIONS

RAL: Pls specify
D60: 60mm Mastfitter
PC: Photocell (NEMA)
DALI: DALI Dimmable
1-10V: 1-10V Dimmable
CLO: Constant Lumen Output
PRO: Programmed Dimming
FT: Forward Throw Optic (A9)
STW: Street Optic Wide (A8)
SYM: Symmetric Optic (C4/C5)
3K: 3000K, Warm White
MRN: Marine Finish
IK10: IK 10 Protection
PC: Polycarbonate Shield (IK10+)