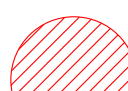


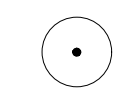


**TREE SURVEY LEGEND:**

-  Category U
-  Category B
-  Category C
- xxx Tree number
-  Tree Spread


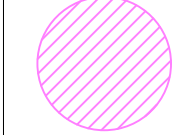

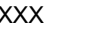

Drawing title  
**Bloodmills Road  
 Tree Survey (1 of 2)**

Scale: 1:200 @ A1  
 Date: 29.11.22  
 Drawing number:  
**0001-01**





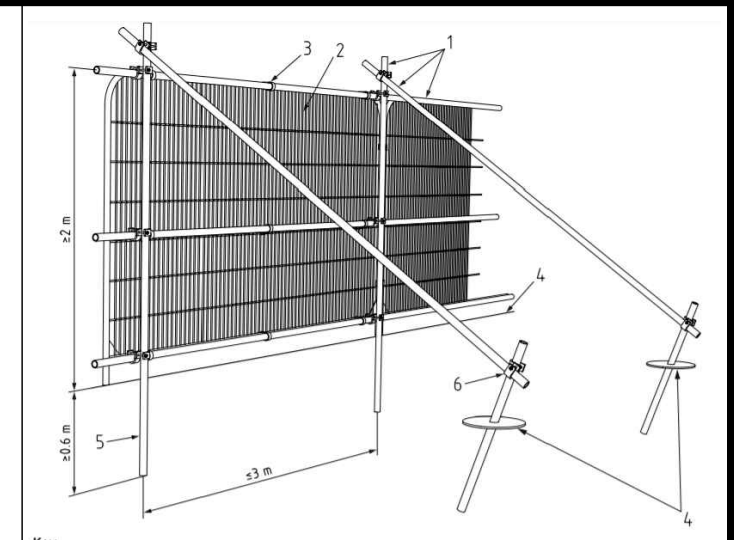
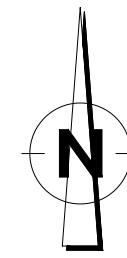
**TREE SURVEY LEGEND:**

-  Category U
-  Category B
-  Category C
-  Tree number
-  Tree Spread

drawing title  
**Bloodmills Road  
 Tree Survey (2 of 2)**

|       |            |                 |         |
|-------|------------|-----------------|---------|
| scale | 1:200 @ A1 | Drawing number: | 0001-02 |
| date  | 29.11.22   |                 |         |





- Key**
- 1 Standard scaffold poles
  - 2 Heavy gauge 2 m tall galvanized tube and welded mesh infill panels
  - 3 Panels secured to uprights and crossmembers with wire ties
  - 4 Ground level
  - 5 Uprights driven into the ground until secure (minimum depth 0.6 m)
  - 6 Standard scaffold clamps

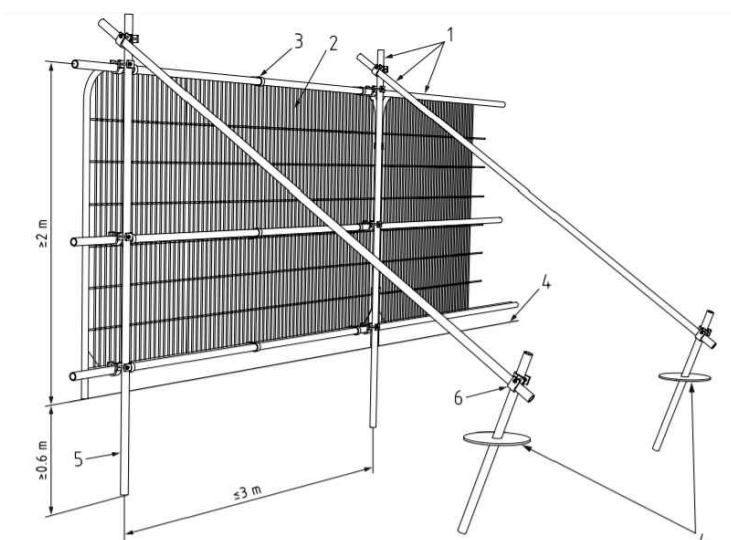
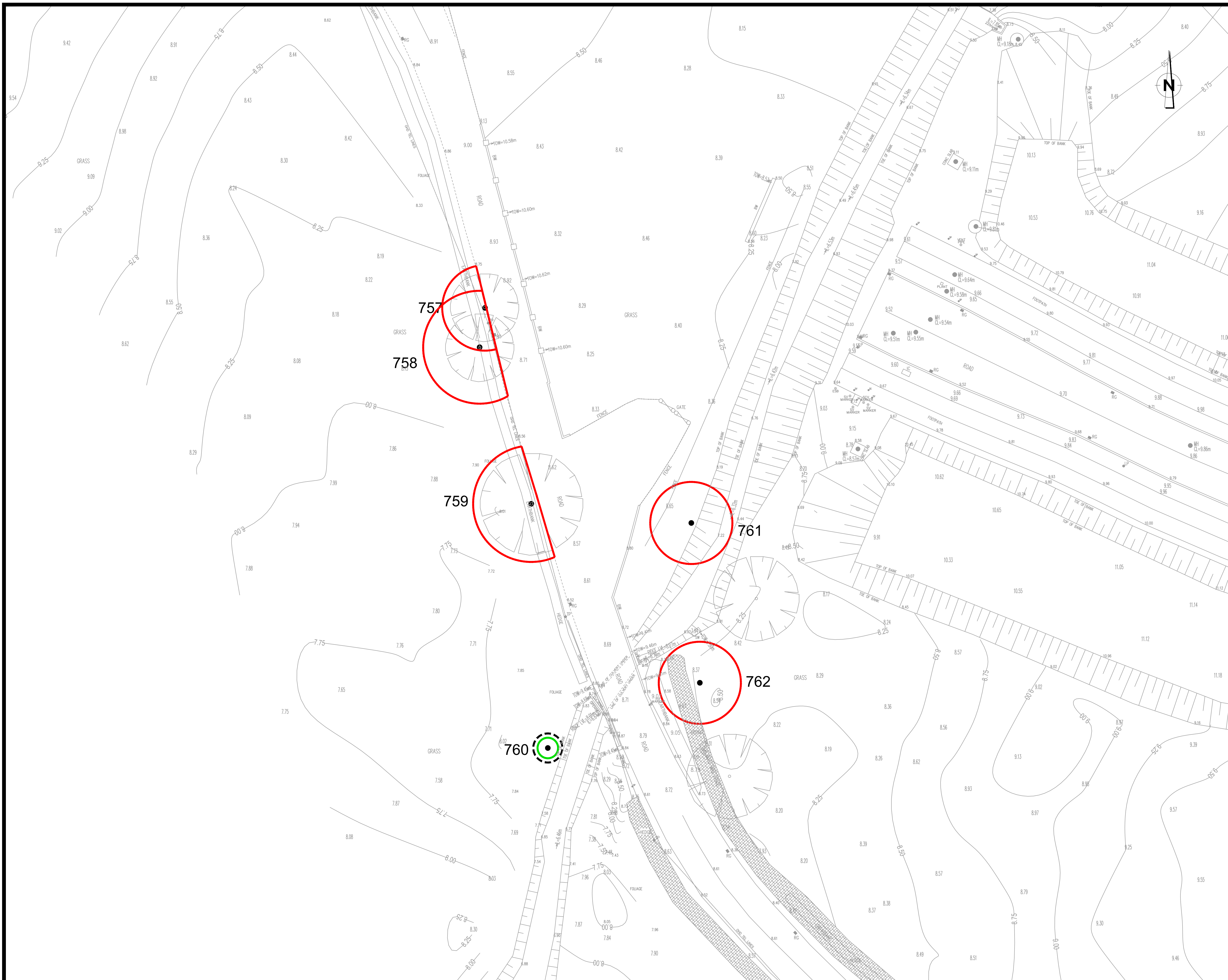
**TREE SURVEY LEGEND:**

- Trees to be removed
- Trees to be retained
- XXX Tree number
- Tree Protection Fence

Drawing title  
**Bloodmills Road  
 Tree Constraints Plan (1 of 2)**

Scale: 1:200 @ A1  
 Date: 29/11/22  
 Drawing number: 0001-03





- Key
- 1 Standard scaffold poles
  - 2 Heavy gauge 2 m tall galvanized tube and welded mesh infill panels
  - 3 Panels secured to uprights and cross-members with wire ties
  - 4 Ground level
  - 5 Uprights driven into the ground until secure (minimum depth 0.6 m)
  - 6 Standard scaffold clamps

**TREE SURVEY LEGEND:**

- Trees to be removed
- Trees to be retained
- xxx Tree number
- Tree Protection Fence

drawing title

**Bloodmills Road  
Tree Constraints Plan (2 of 2)**

|                |            |
|----------------|------------|
| scale          | 1:200 @ A1 |
| date           | 29.11.22   |
| drawing number | 0001-04    |