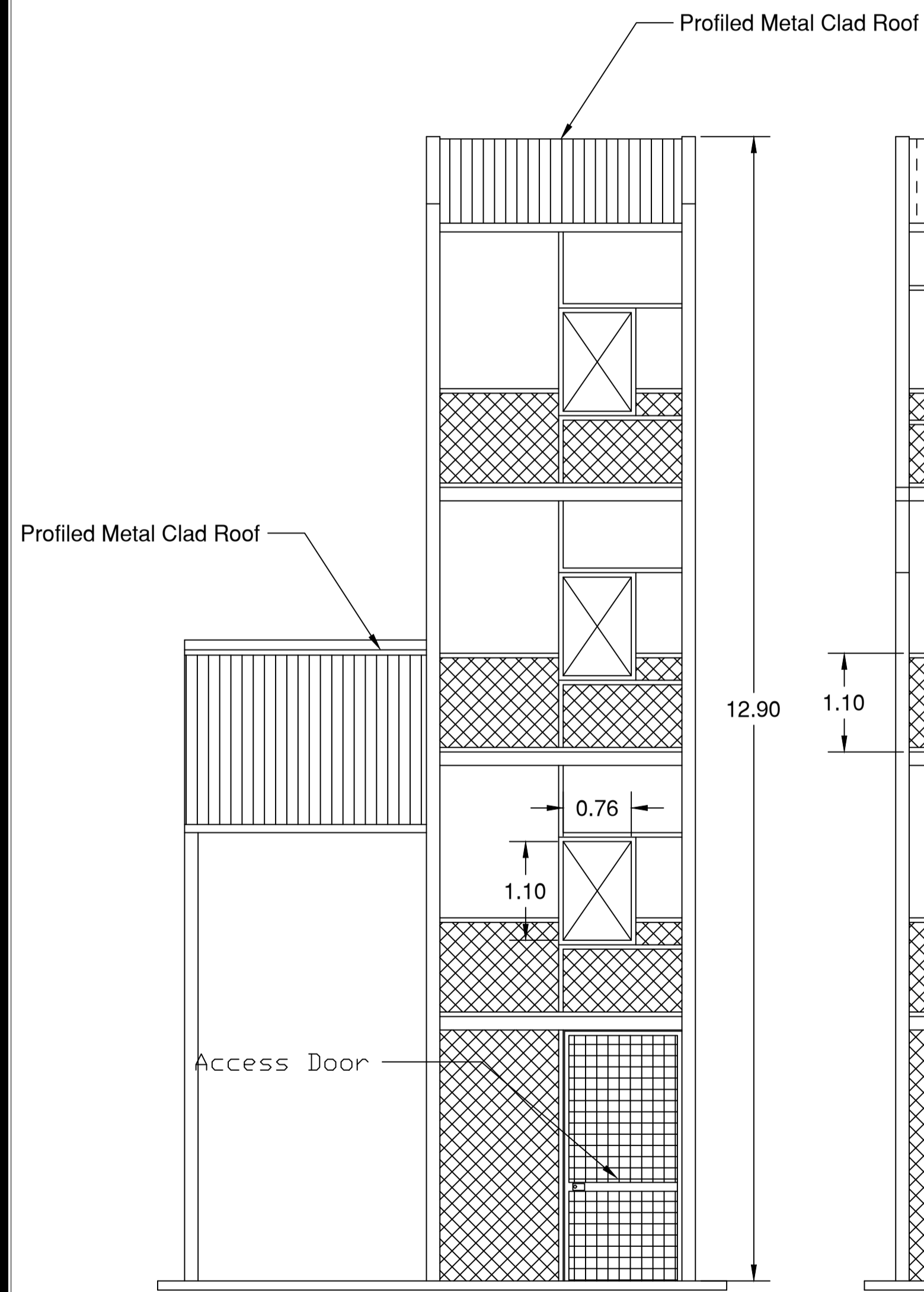
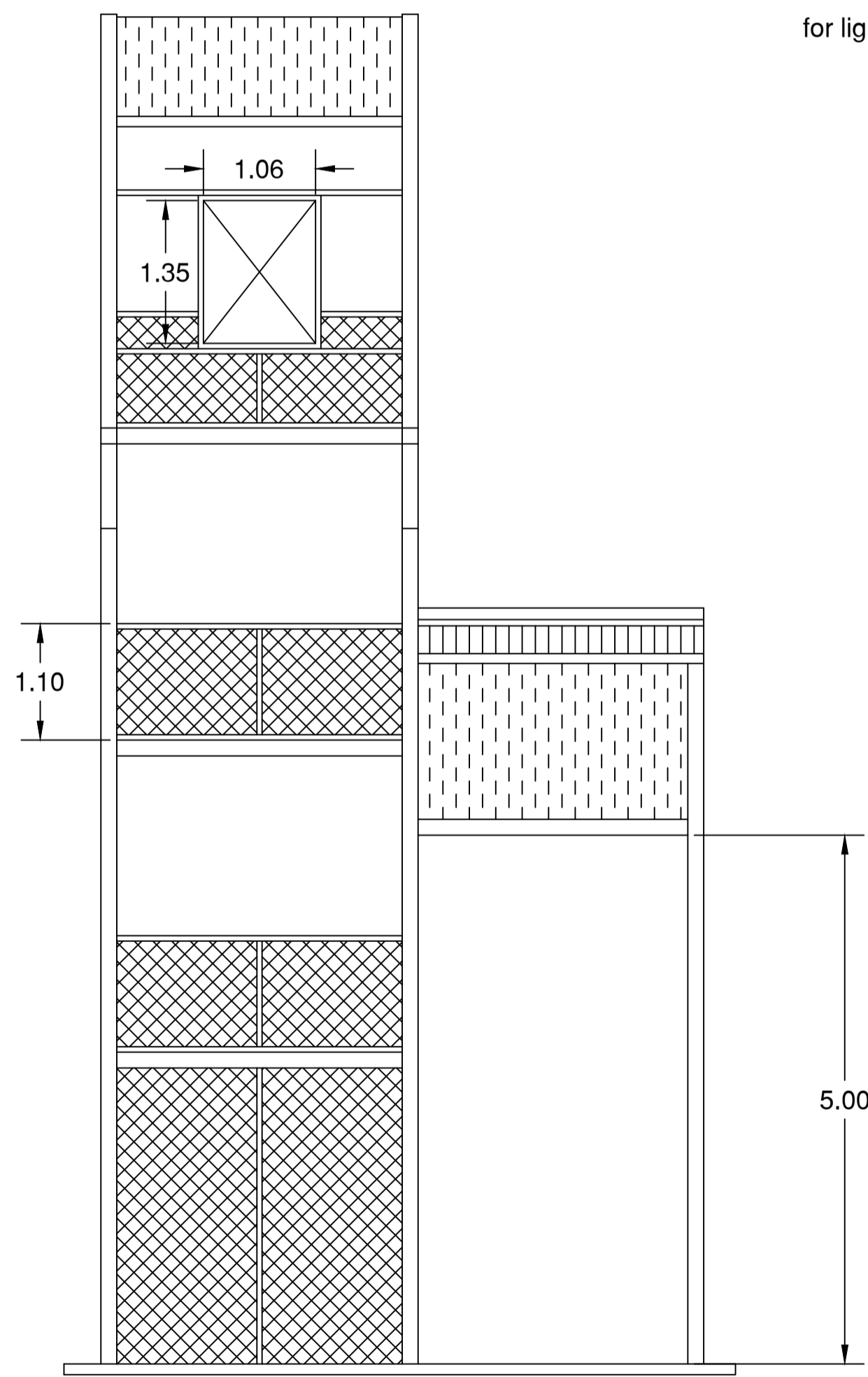


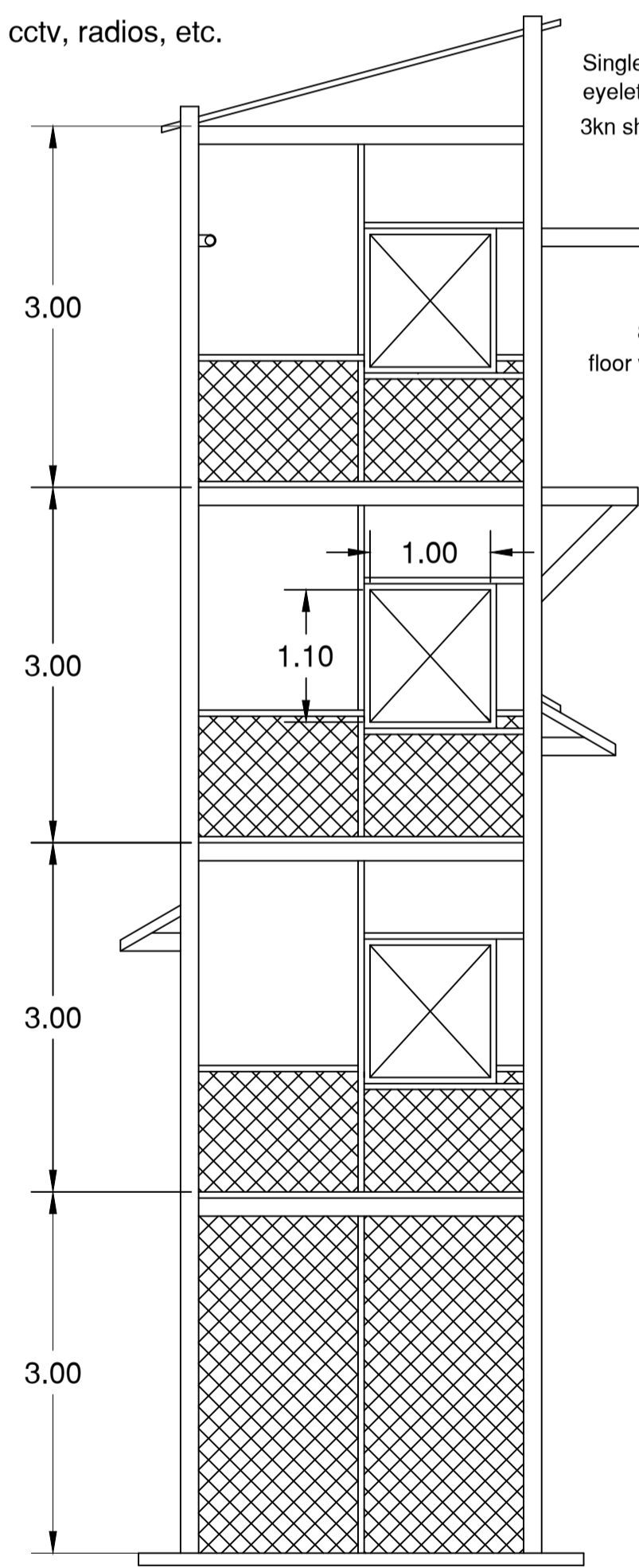
Include conduit for services for lighting, cctv, radios, etc.



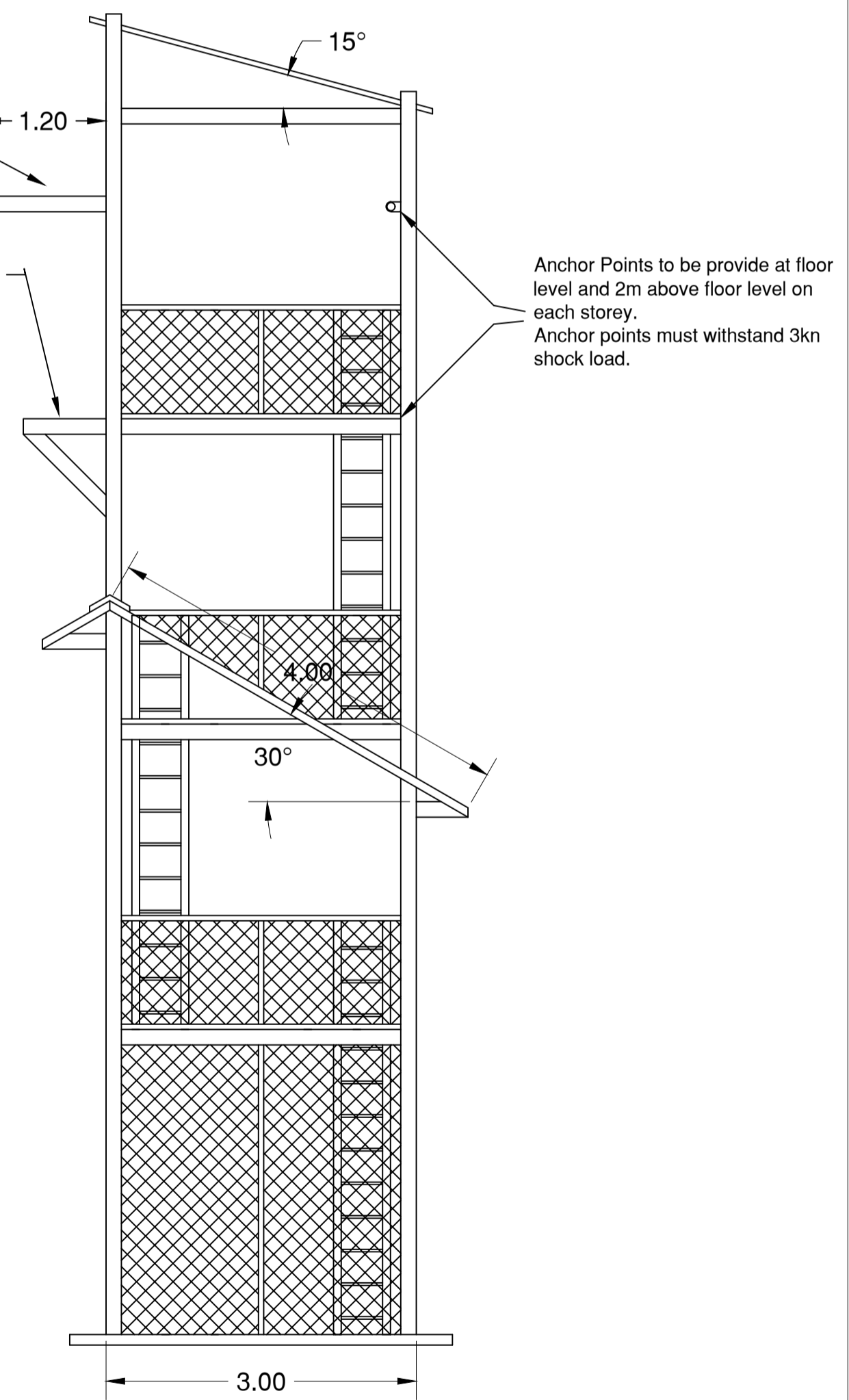
Front Elevation
Scale 1:50



Rear Elevation
Scale 1:50



Side Elevation
Scale 1:50



Side Elevation
Scale 1:50

| | | |
|-----|----------------|------------|
| No. | Part 8 | Date |
| | Revision/Issue | |
| | | 11.07.2020 |

Firm Name and Address
 Comhairle Cathrach & Contae Luimnigh
 Limerick City & County Council
 Limerick Fire & Rescue Service
 Lissanalta House
 Dooradoyle
 Limerick

Project Name and Address
 Limerick Fire Service Training Centre
 Kilmallock Business Park
 Kilmallock
 Co. Limerick

| | | |
|---------|--------------------|-------|
| Project | Drill Tower Design | Sheet |
| Date | 11.05.2020 | 005 |
| Scale | As Noted | |