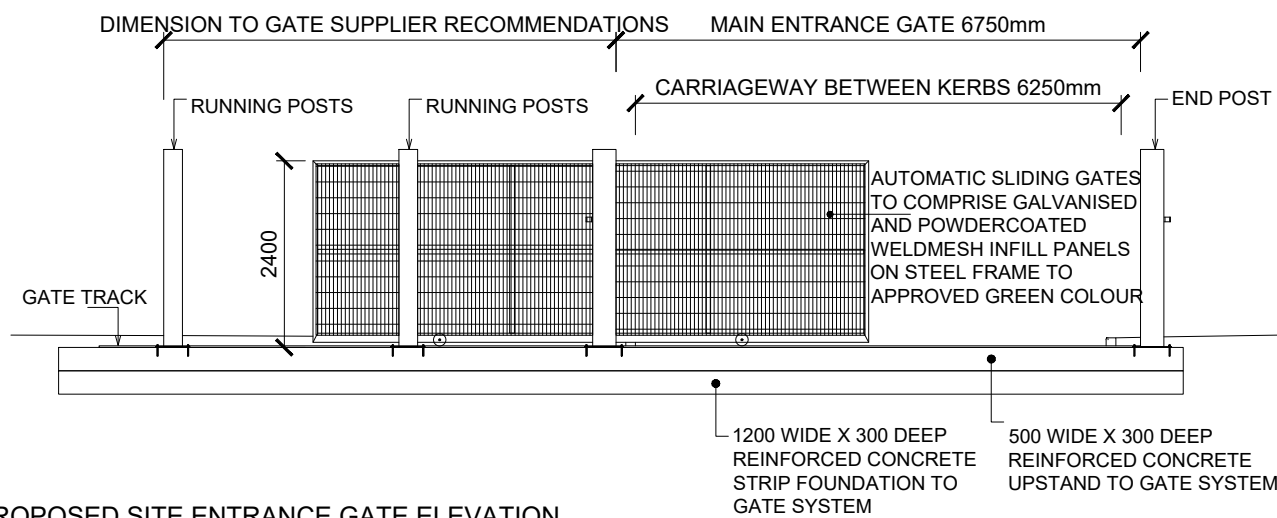
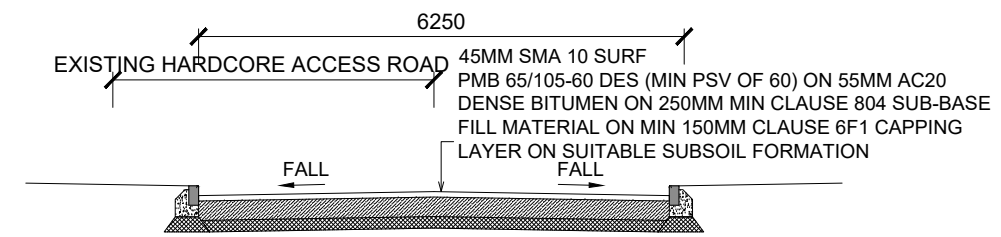


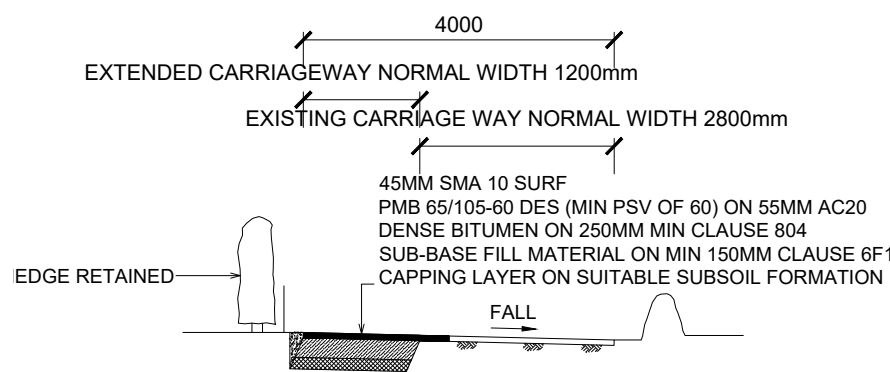
205 WIDENED ROAD - PLAN
21.03 SCALE 1:500 @ A3



205 PROPOSED SITE ENTRANCE GATE ELEVATION
21.03 SCALE 1:100 @ A3



205 TYPICAL SECTION THROUGH SITE ENTRANCE ROAD: B-B
21.03 SCALE 1:100 @ A3



205 TYPICAL SECTION THROUGH WIDENED SITE ACCESS ROAD: B-B
21.03 SCALE 1:100 @ A3

Revision:	Description:	Date:

NOTE:
WRITTEN DIMENSIONS ONLY TO BE TAKEN FROM THIS DRAWING. ALL DIMENSIONS TO BE CHECKED ON SITE.
ARCHITECTS TO BE INFORMED IMMEDIATELY OF ANY DISCREPANCIES BEFORE WORK PROCEEDS.

COPYRIGHT:
THIS DRAWING AND ANY DESIGN HEREON IS THE COPYRIGHT OF THE ARCHITECTS AND MUST NOT BE REPRODUCED WITHOUT THEIR CONSENT.
©
ALL DRAWINGS REMAIN THE PROPERTY OF THE ARCHITECTS.

PLANNING Carr Associates Architects Ltd.

Unit 3, Chapel Court, Cathedral Place, Limerick Tel (061)462018 Fax(061) 609662 e-mail: reception@carrarchitects.ie

Job:	EXTENSION & RENOVATION OF UNITS AT RATHKEALE ENTERPRISE HUB	
Drawing:	ROAD WIDENING LAYOUT	Scale: 1:500@A3
Client:	LIMERICK ENTERPRISE BOARD	Drawn: M.H
Date:	MARCH 2021	Checked By: A.O.H
Drawing No:	21.03.205	