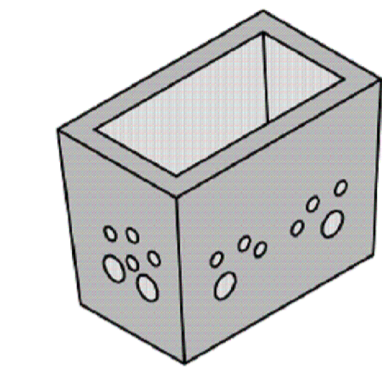
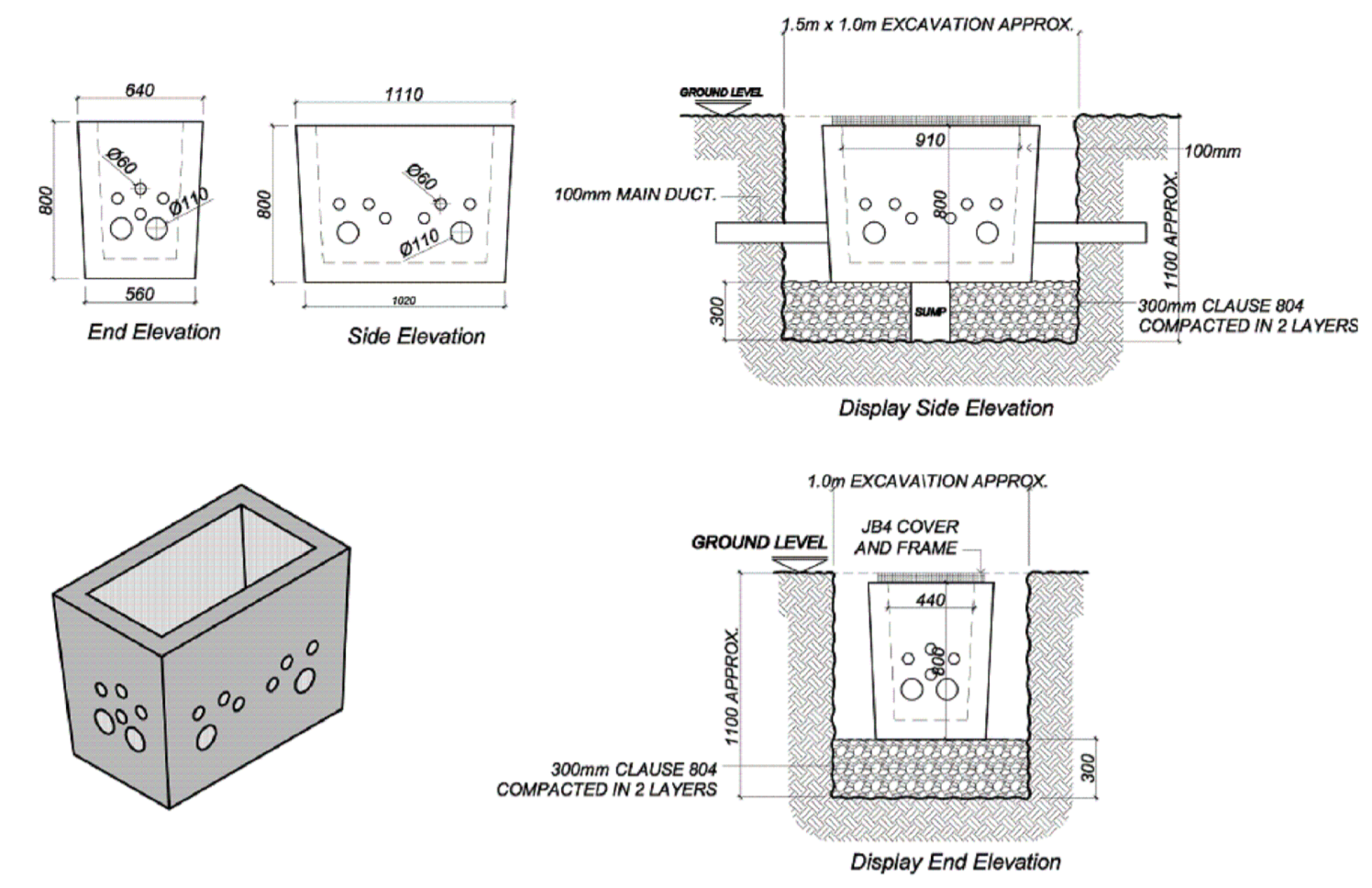
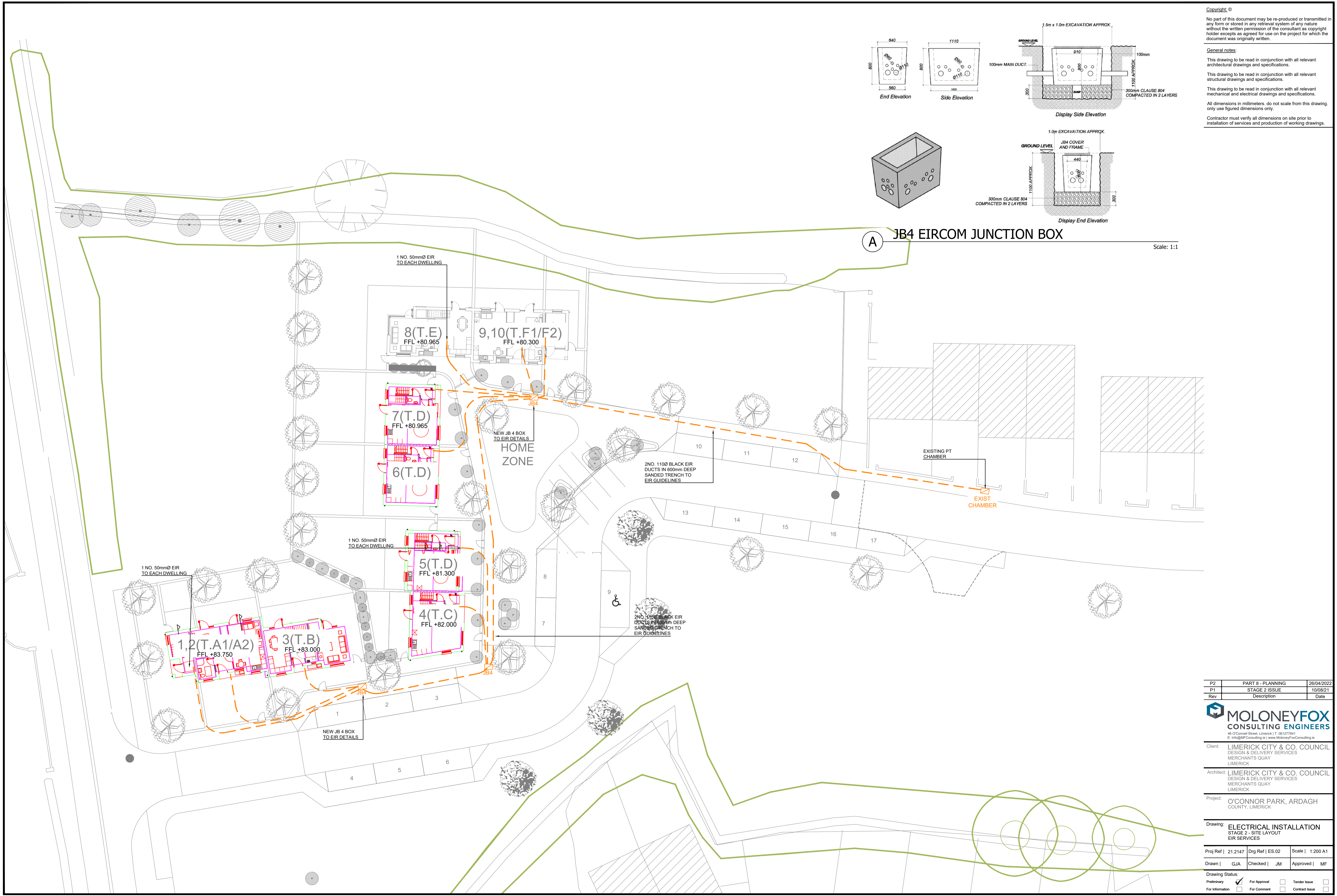


Copyright ©
 No part of this document may be re-produced or transmitted in any form or stored in any retrieval system of any nature without the written permission of the consultant as copyright holder excepts as agreed for use on the project for which the document was originally written.

General notes:
 This drawing to be read in conjunction with all relevant architectural drawings and specifications.
 This drawing to be read in conjunction with all relevant structural drawings and specifications.
 This drawing to be read in conjunction with all relevant mechanical and electrical drawings and specifications.
 All dimensions in millimeters. do not scale from this drawing. only use figured dimensions only.
 Contractor must verify all dimensions on site prior to installation of services and production of working drawings.



A JB4 EIRCOM JUNCTION BOX Scale: 1:1



P2	PART 8 - PLANNING	26/04/2022
P1	STAGE 2 ISSUE	10/08/21
Rev	Description	Date

MOLONEYFOX CONSULTING ENGINEERS
 46 O'Connell Street, Limerick, T1 0E17/7841
 E: info@mfconsulting.ie | www.moloneyfoxconsulting.ie

Client: LIMERICK CITY & CO. COUNCIL
 DESIGN & DELIVERY SERVICES
 MERCHANTS QUAY
 LIMERICK

Architect: LIMERICK CITY & CO. COUNCIL
 DESIGN & DELIVERY SERVICES
 MERCHANTS QUAY
 LIMERICK

Project: O'CONNOR PARK, ARDAGH
 COUNTY, LIMERICK

Drawing: ELECTRICAL INSTALLATION
 STAGE 2 - SITE LAYOUT
 EIR SERVICES

Proj Ref | 21.2147 | Drg Ref | ES.02 | Scale | 1:200 A1
 Drawn | GJA | Checked | JM | Approved | MF

Drawing Status:
 Preliminary For Approval Tender Issue
 For Information For Comment Contract Issue