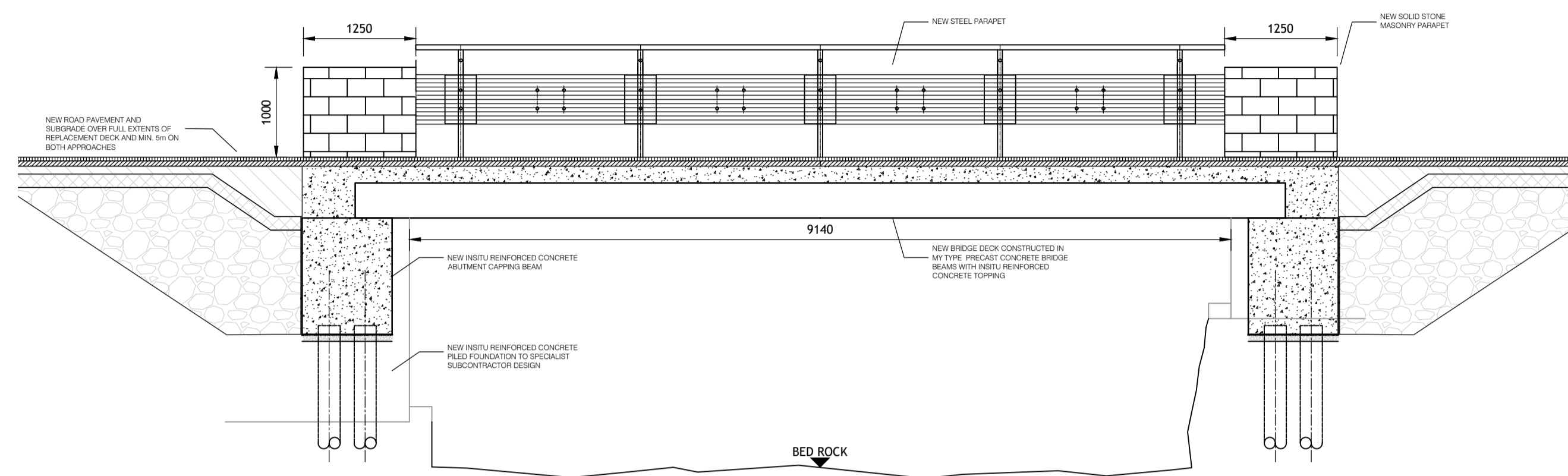


KEY PLAN  
SCALE 1:5000

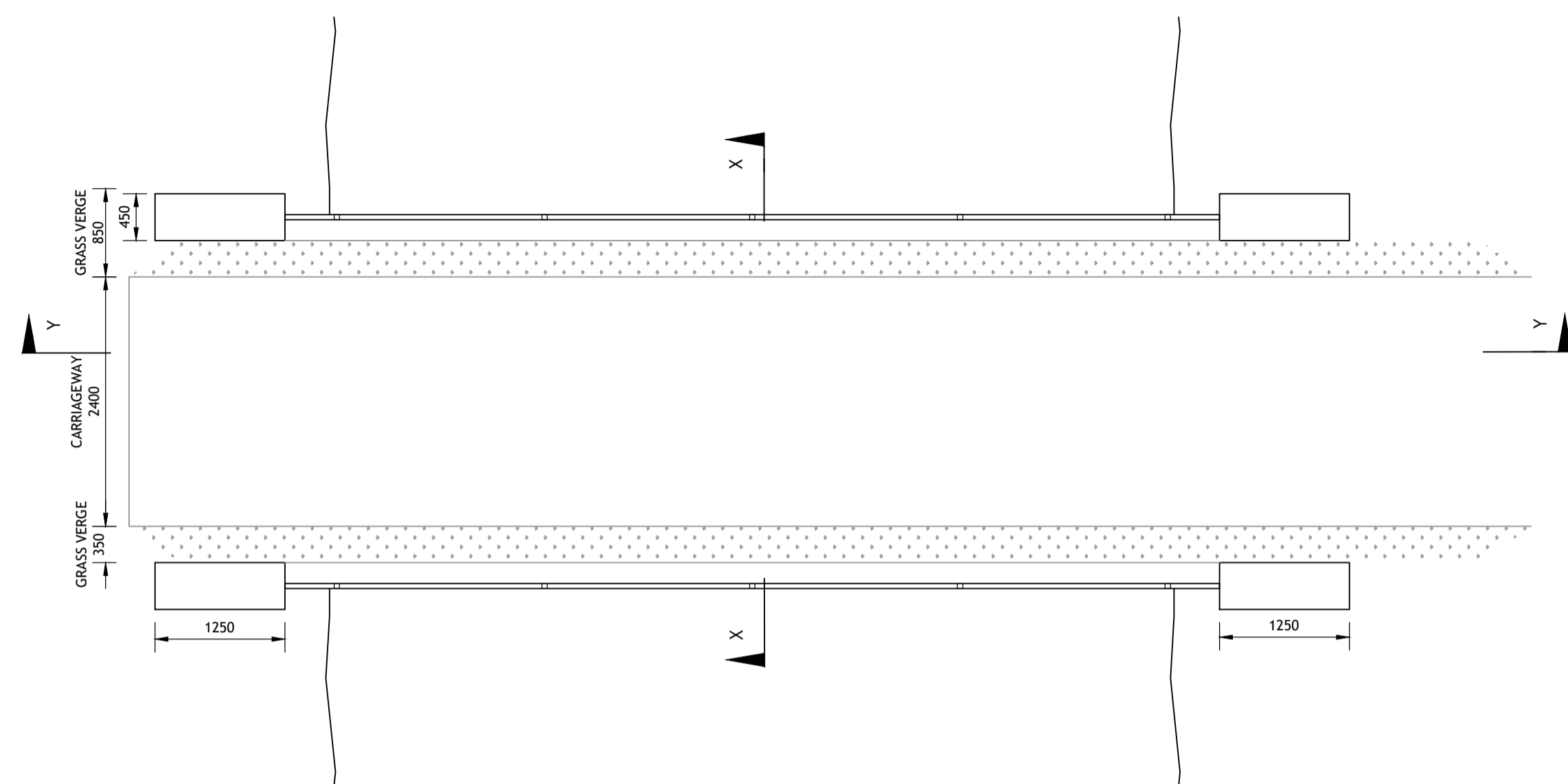
Ordnance Survey Ireland Licence No. CYAL50313286  
© Ordnance Survey Ireland/Government of Ireland

NOTES

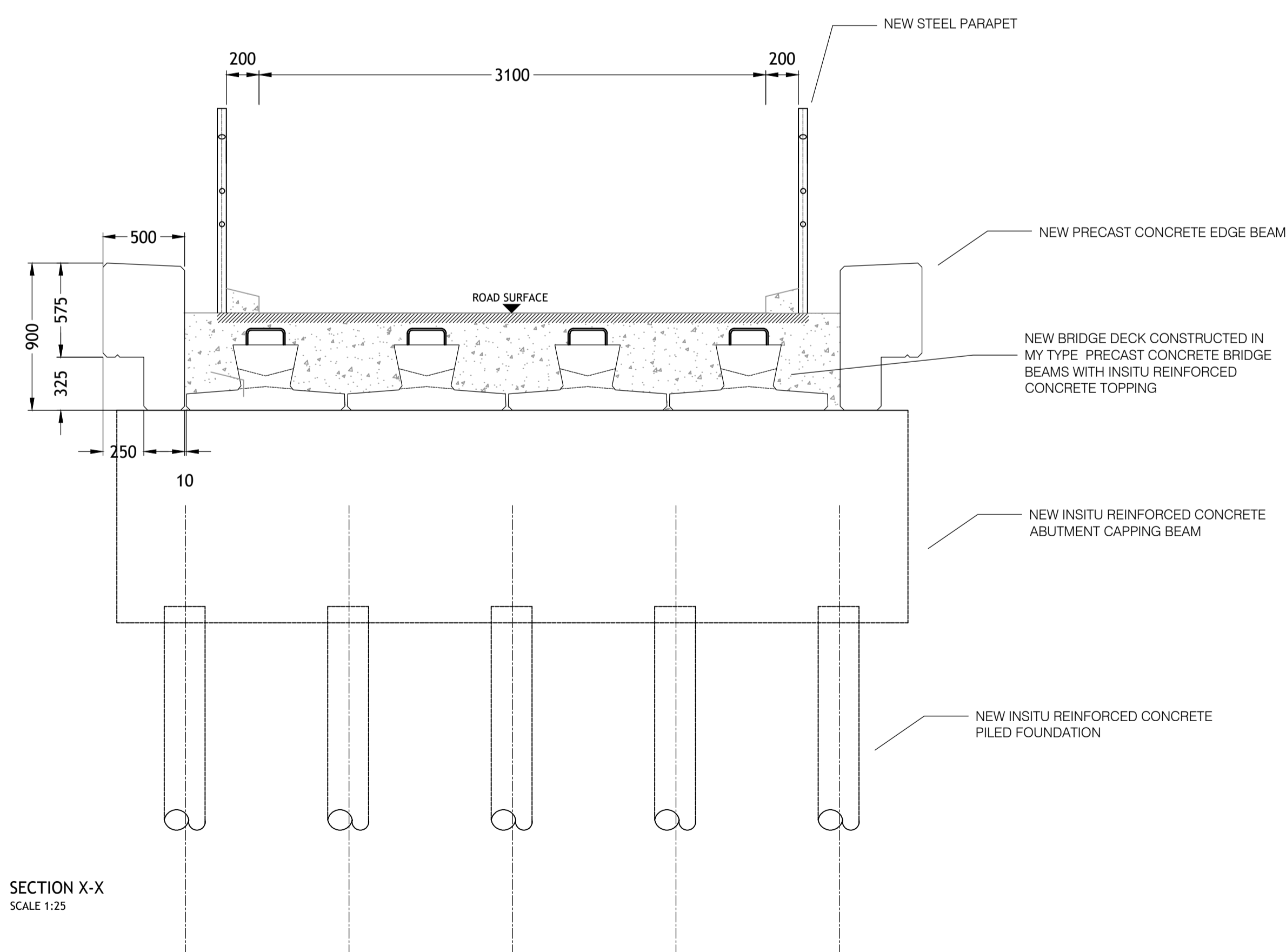
- DO NOT SCALE. ALL DIMENSIONS ON DRAWINGS ARE IN MILLIMETERS UNLESS NOTED OTHERWISE. USE FIGURED DIMENSIONS ONLY.
- THIS DRAWING IS TO BE READ IN CONJUNCTION WITH ALL OTHER WORKS REQUIREMENTS
- CO-ORDINATES ARE TO IRISH TRANSVERSE MERCATOR (ITM)
- INSPECTION DATE 21/5/2020



SECTION Y-Y  
SCALE 1:50



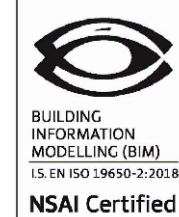
EXISTING PLAN  
SCALE 1:50



SECTION X-X  
SCALE 1:25

© PUNCH Consulting Engineers

This drawing and any design herein is the copyright of the Consultants and must not be reproduced without their written consent. All drawings remain the property of the Consultants. Figured dimension only to be taken from this drawing. Consultants to be informed immediately of any discrepancies before work proceeds.



Rev	Amendment	By	Date	Rev	Amendment	By	Date

Client:  
Comhairle Cathrach & Contae Limerick  
Limerick City & County Council



Project: LCCC 2021 BRIDGE REHABILITATION SCHEME			
Title: STR 23 BALLINLOUGHANE BRIDGE PROPOSED			
Drawn: Cian Nolan	Date created: 2020-12-03	Technician Check:	Engineer Check:
Project No: 201156	Model Ref: 201156-PUNCH-23-XX-M2-S-0002	Drawing Status: S1 (FOR INFORMATION)	
Scale @ A1: AS SHOWN	Document No: 201156-PUNCH-23-XX-DR-S-0002	Revision No:	P01