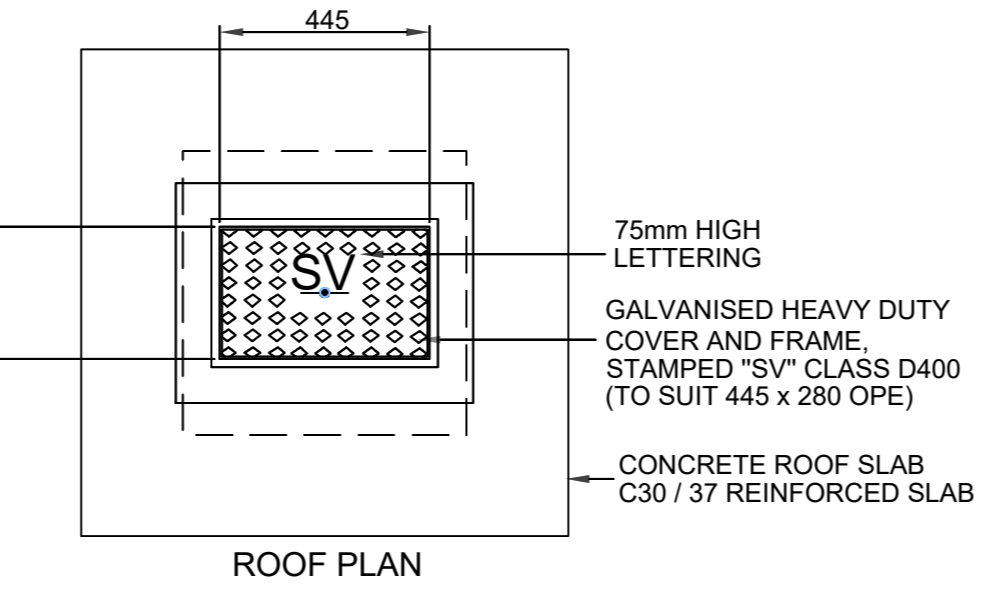
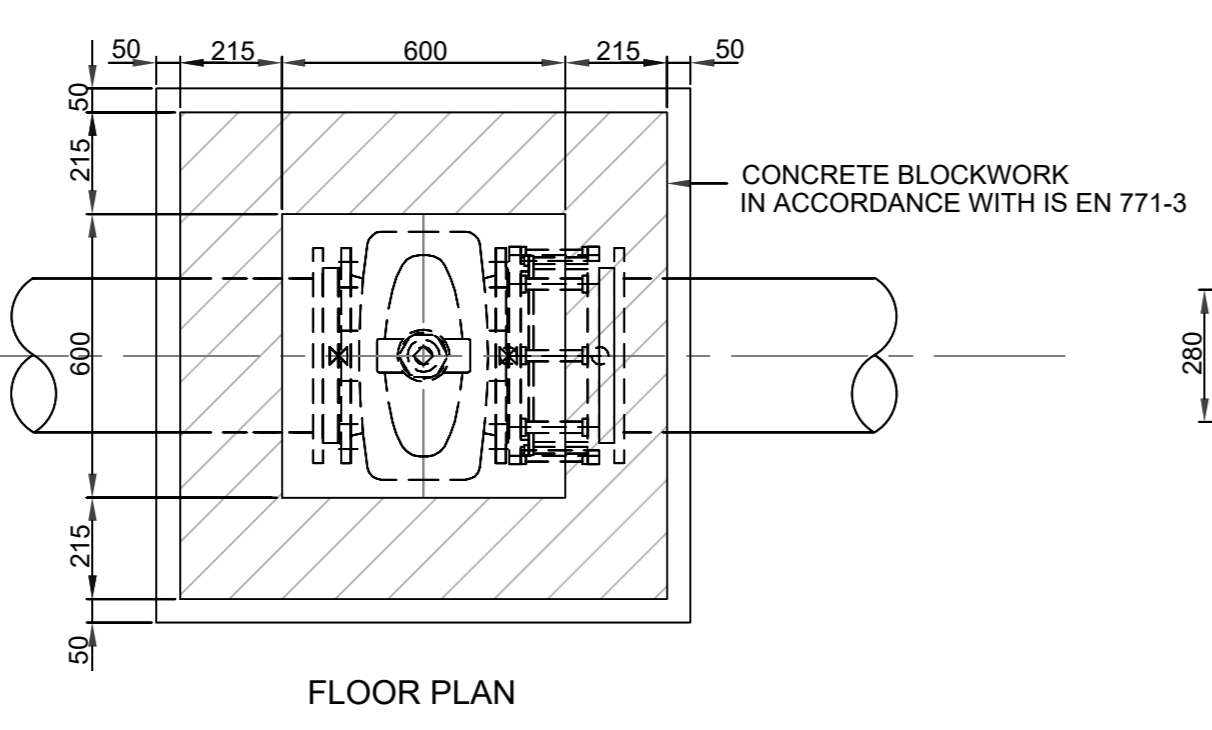
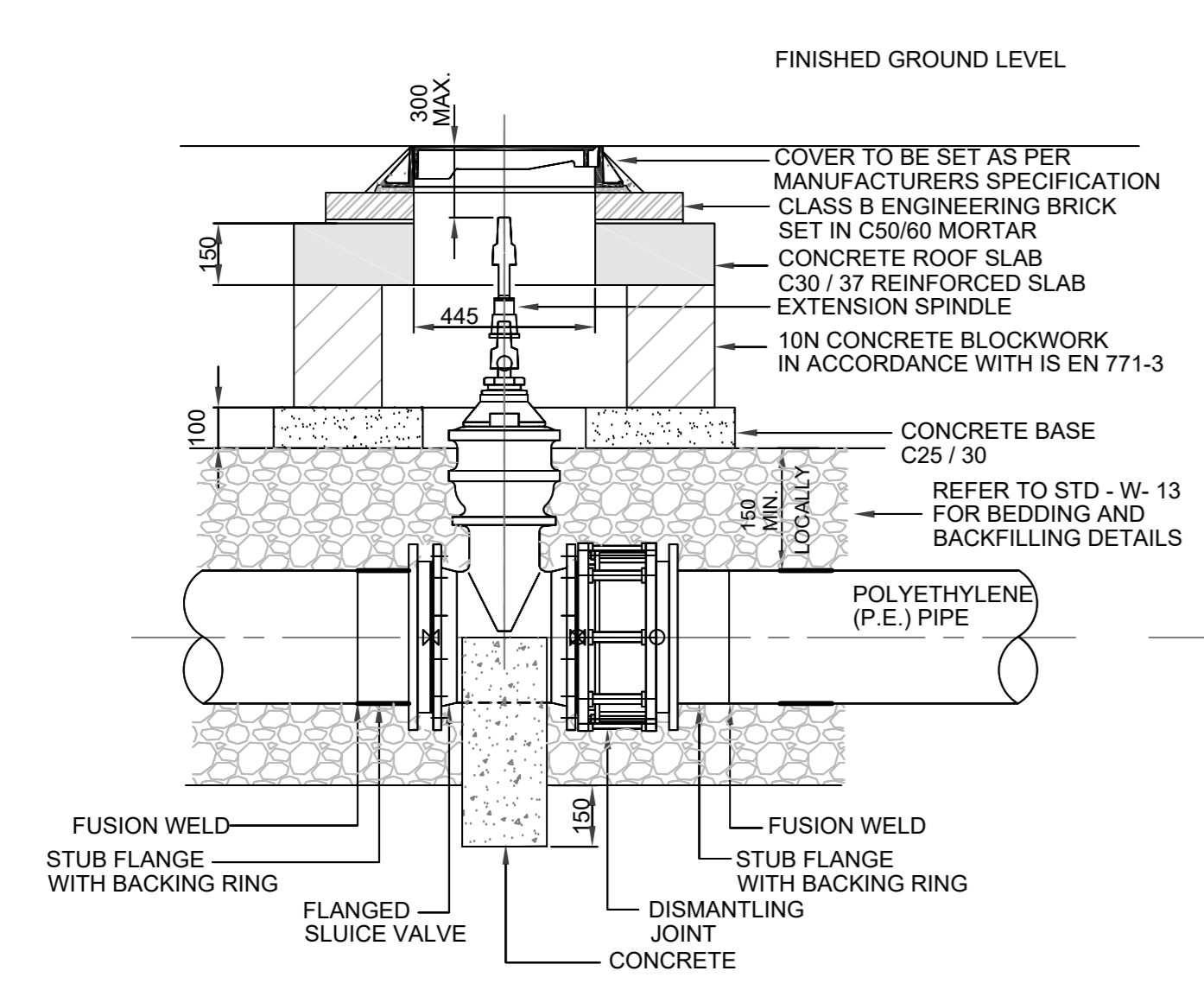


Notes:

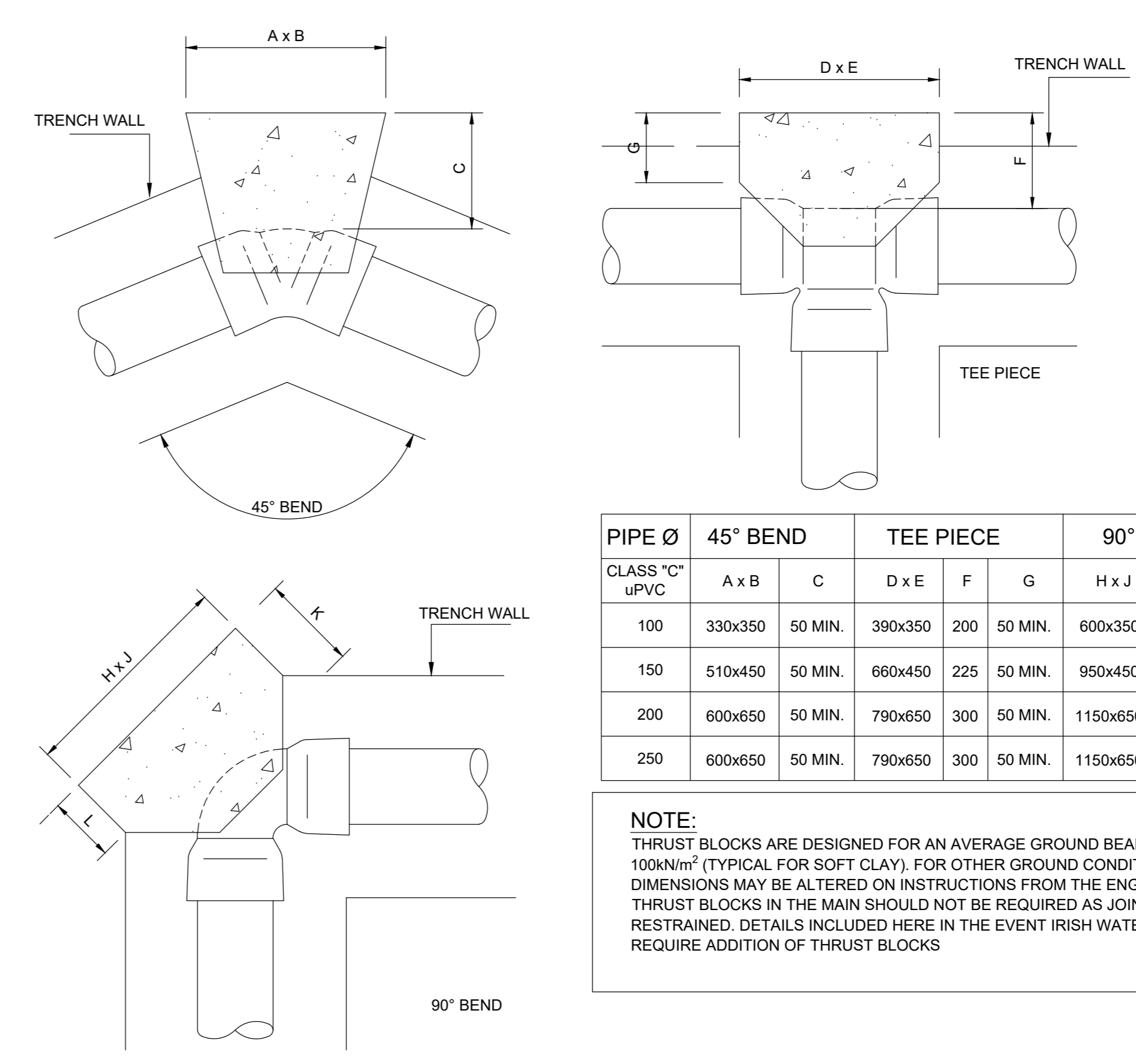
- This Drawing shall be Read in Conjunction with all Other Relevant Specifications & Drawings including Civil Site Drawings.
- All Dimensions in mm unless otherwise noted.
- Refer to MUN-ARUP-ZZ-ZZ-DR-C-0040 for the Proposed Potable Watermain Layout.
- All Water Infrastructure to be Designed and Constructed in Accordance with the Irish Water Code of Practice and Standard Details.

Sluice Valves

- Sluice valve chambers shall be covered with approved heavy duty metal covers to IS 261 and BS 6834. Cover and frame shall be suitable for road and traffic conditions and is subject to the approval of Irish Water.
- Sluice valves shall be double flanged with ductile iron resilient seal gate valves, suitable for use in water mains. They shall comply with the requirements of IS EN 1074 and they shall have the BS Kitemark.
- All sluice valves shall be anti-clockwise closing



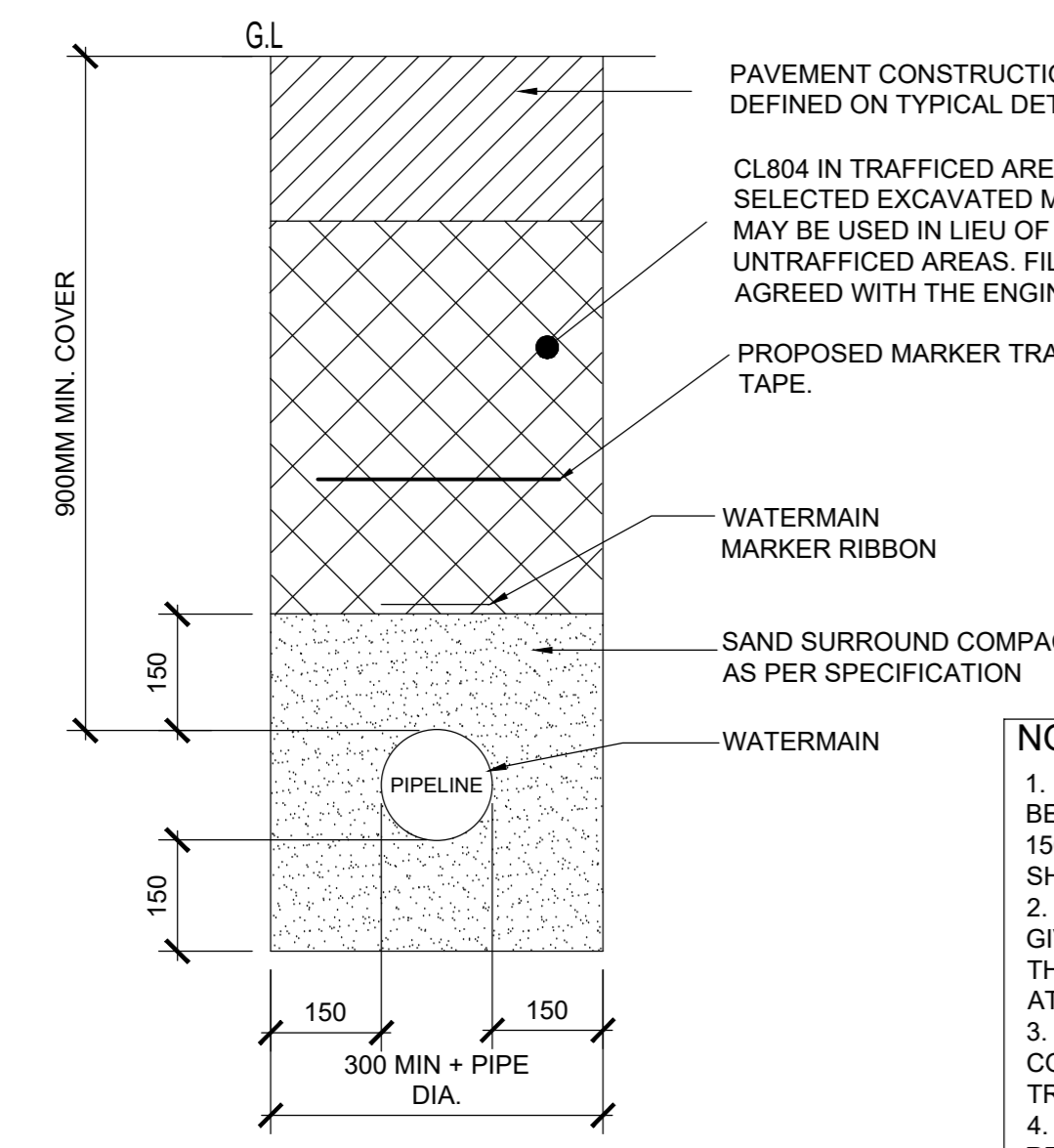
NOTE:
REFER TO IRISH WATER STANDARD DETAILS STD-W-15 FOR DETAILS OF SLUICE VALVE CONNECTION FOR PE PIPEWORK



THRUST BLOCK DETAILS

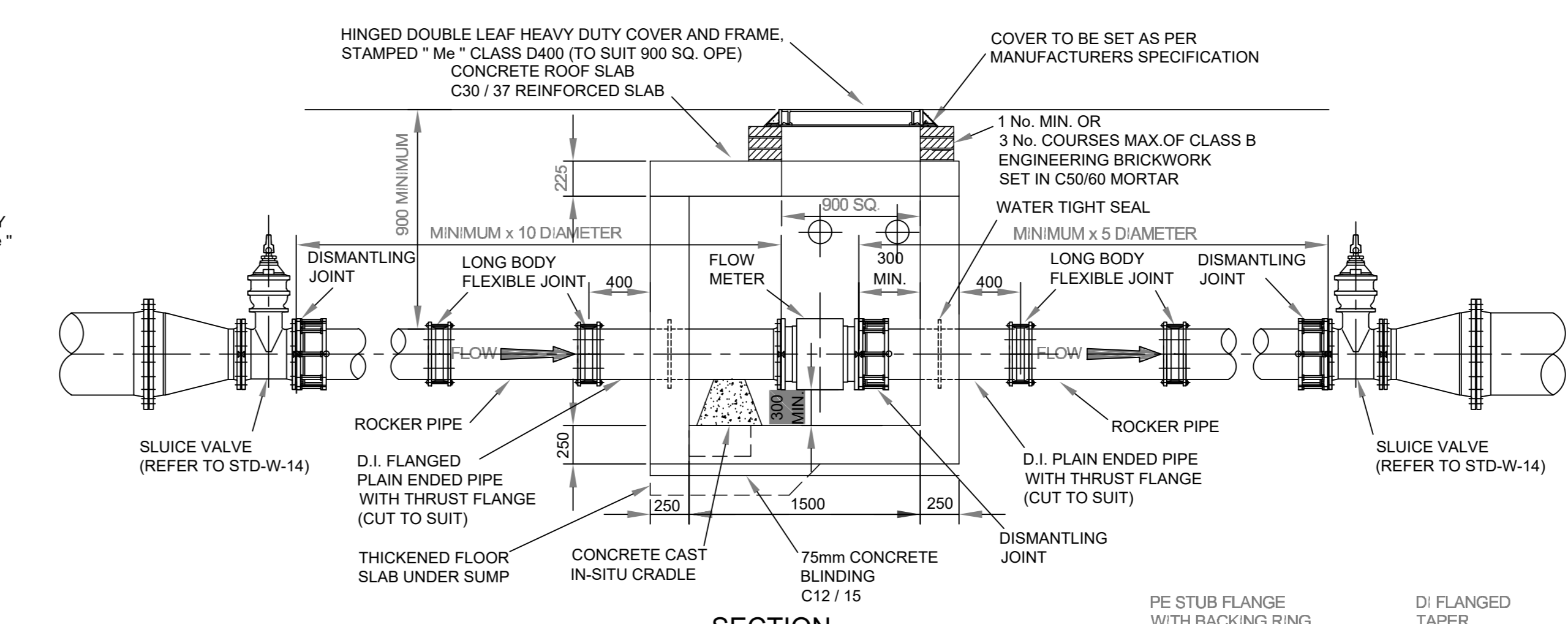
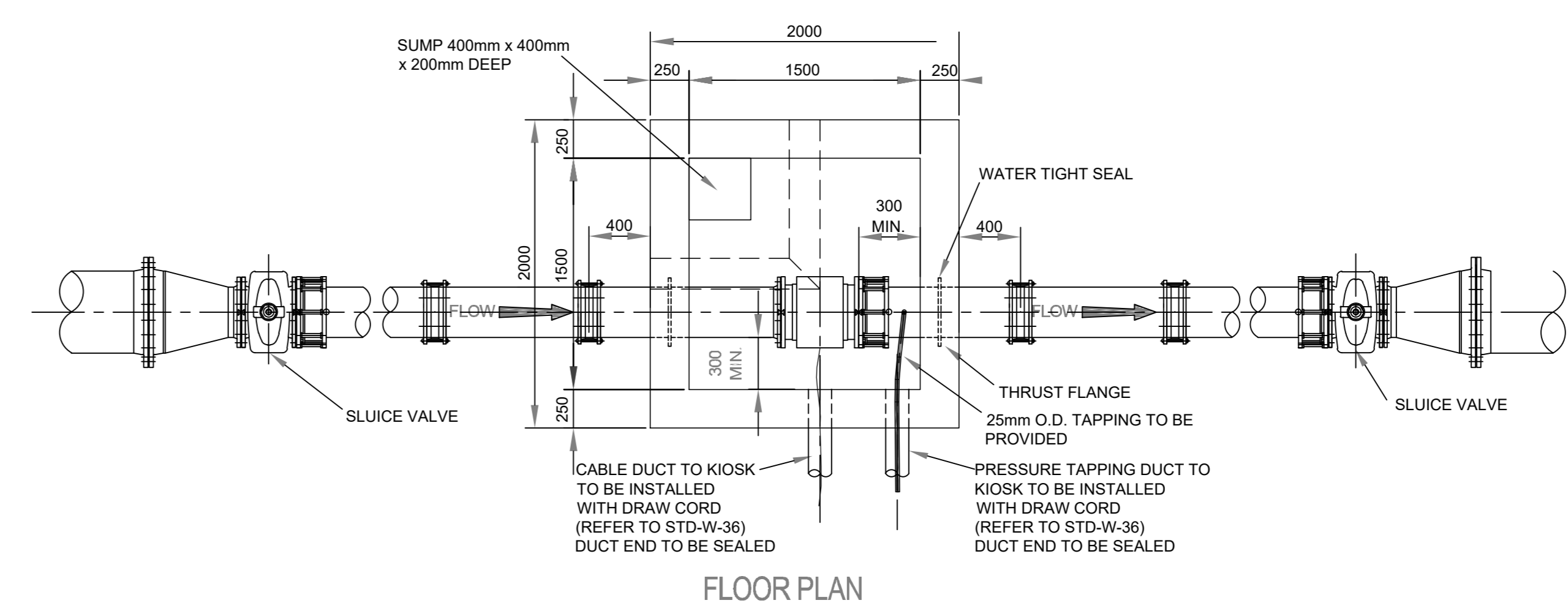
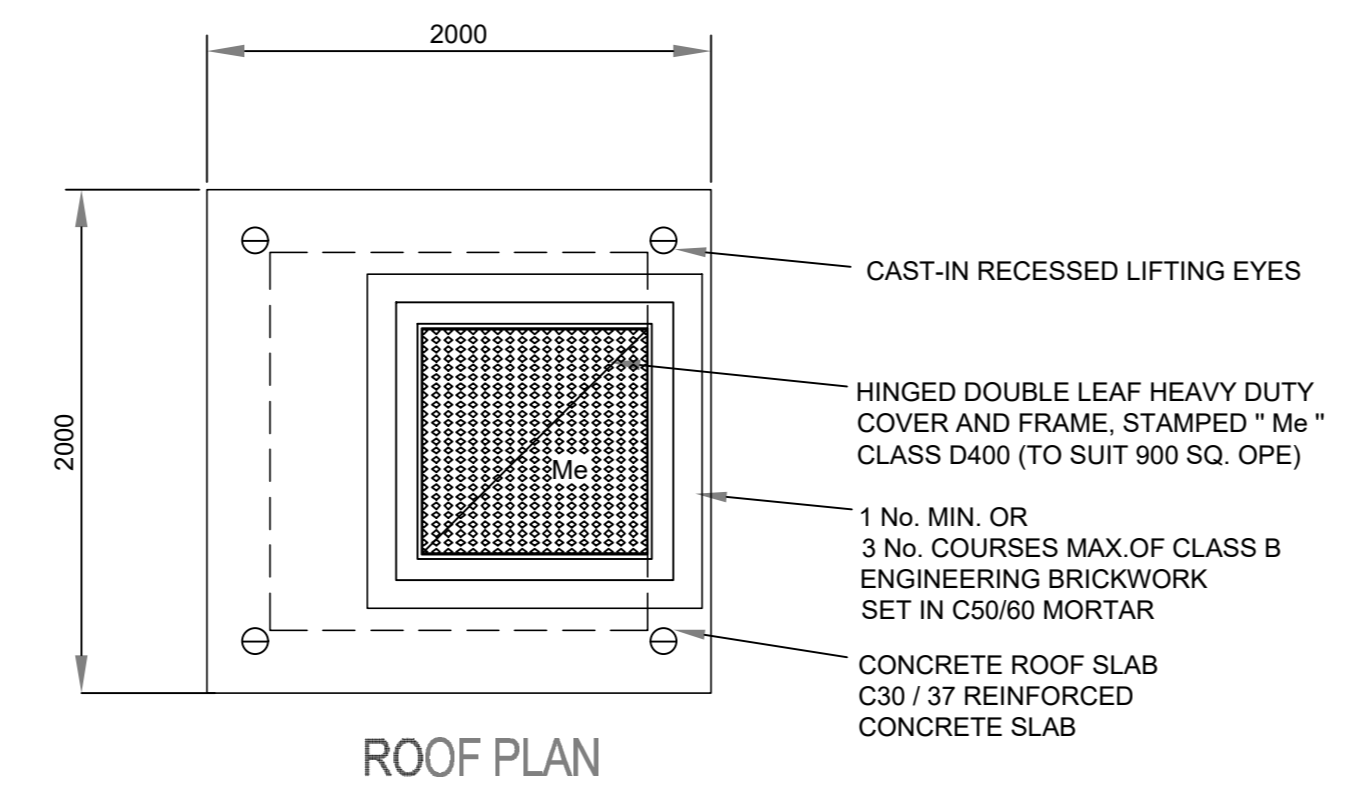
Meter Chamber

- Structural design and reinforcement detail to be provided by the developer and submitted to Irish Water for review.
- Concrete for flow meter chamber to be C30/37.
- Meter chamber shall be covered with approved heavy duty metal covers to IS EN 124:1994 rating D400. Cover and frame shall be suitable for road and traffic conditions and is subject to the approval of Irish Water.
- All chambers to be checked for uplift by the developer based on ground conditions within the site. Should anti floating measures be required they shall be subject to approval from Irish Water.
- Pipework to be downsized to accommodate the required range of the flow meter, straight pipe lengths upstream and downstream of the meter to be provided. If the meter is not capable of accurate right flow measurements a by-pass flow meter shall be provided with appropriate valves, fittings and pipework.



NOTES:
1. IT IS ESSENTIAL THAT THE MAIN BE BEDDED IN A COMPACTED 150MM SAND SURROUND AS SHOWN
2. PARTICULAR ATTENTION IS TO BE GIVEN TO THE COMPACTION OF THE SAND ON THE UNDERSIDE AND AT EDGES OF THE PIPE
3. NO PIPE SHALL BE LAID BY A CONTRACT CREW IN AN UNSANDED TRENCH
4. ALL RUBBLE/STONES ARE TO BE REMOVED FROM AROUND THE MAIN PRIOR TO THE COMPACTION OF THE SAND.

TYPICAL BEDDING DETAIL FOR WATERMAIN
SCALE 1:10



SECTION BULK WATER METER CHAMBER

Refer to Irish Water Standard Details STD-W-26 For Details of Water Meter Connection Variants

P01	15/12/23	WC	AN	KG
Issued for Planning				
Rev	Date	By	Chkd	Appt

ARUP
Arup, Harcourt House,
Upper Harcourt Street, Limerick
T: +353 (0)11 21700
www.arup.com

Client
Limerick City & County Council

Project Title
**Mungret Residential Development,
Mungret, Limerick**

Drawing Title
Proposed Potable Water Details

Scale of A0: As Shown

Role: Civil Infrastructure

Subsidiary: S2 - Suitable for Information

Arup Job No: 261585-00

Rev: P01

Name: MUN-ARUP-ZZ-ZZ-DR-C-0102