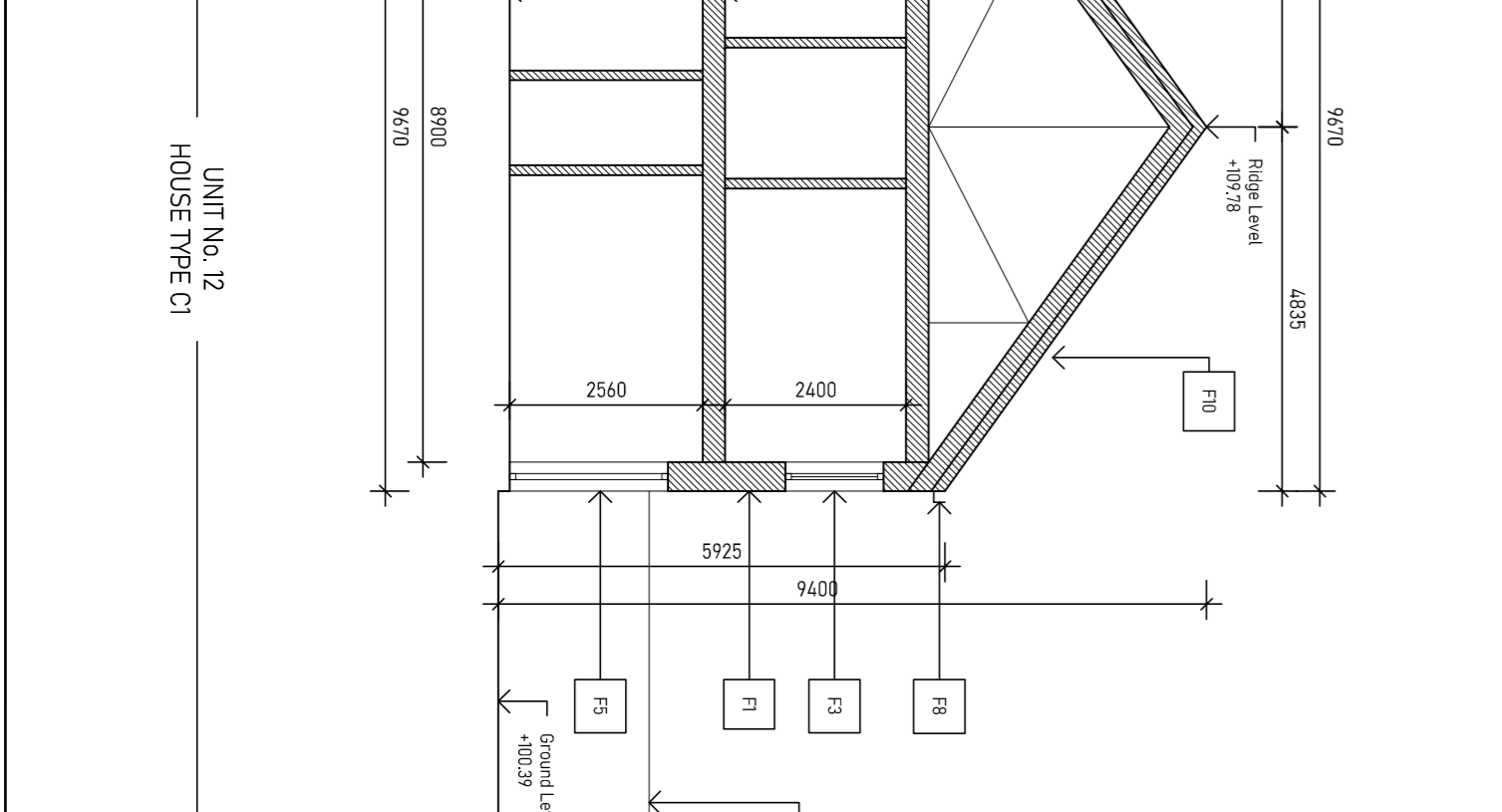
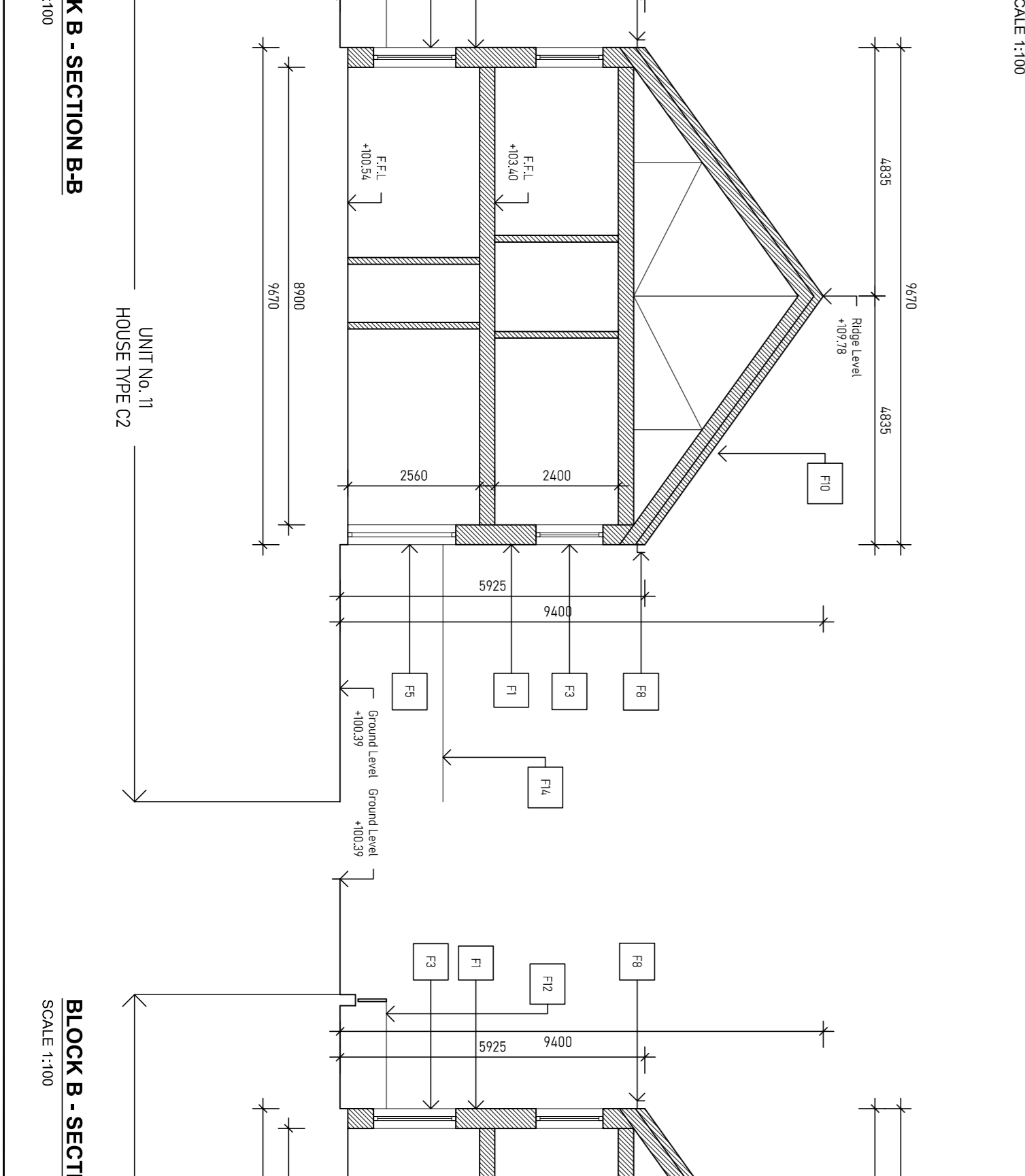
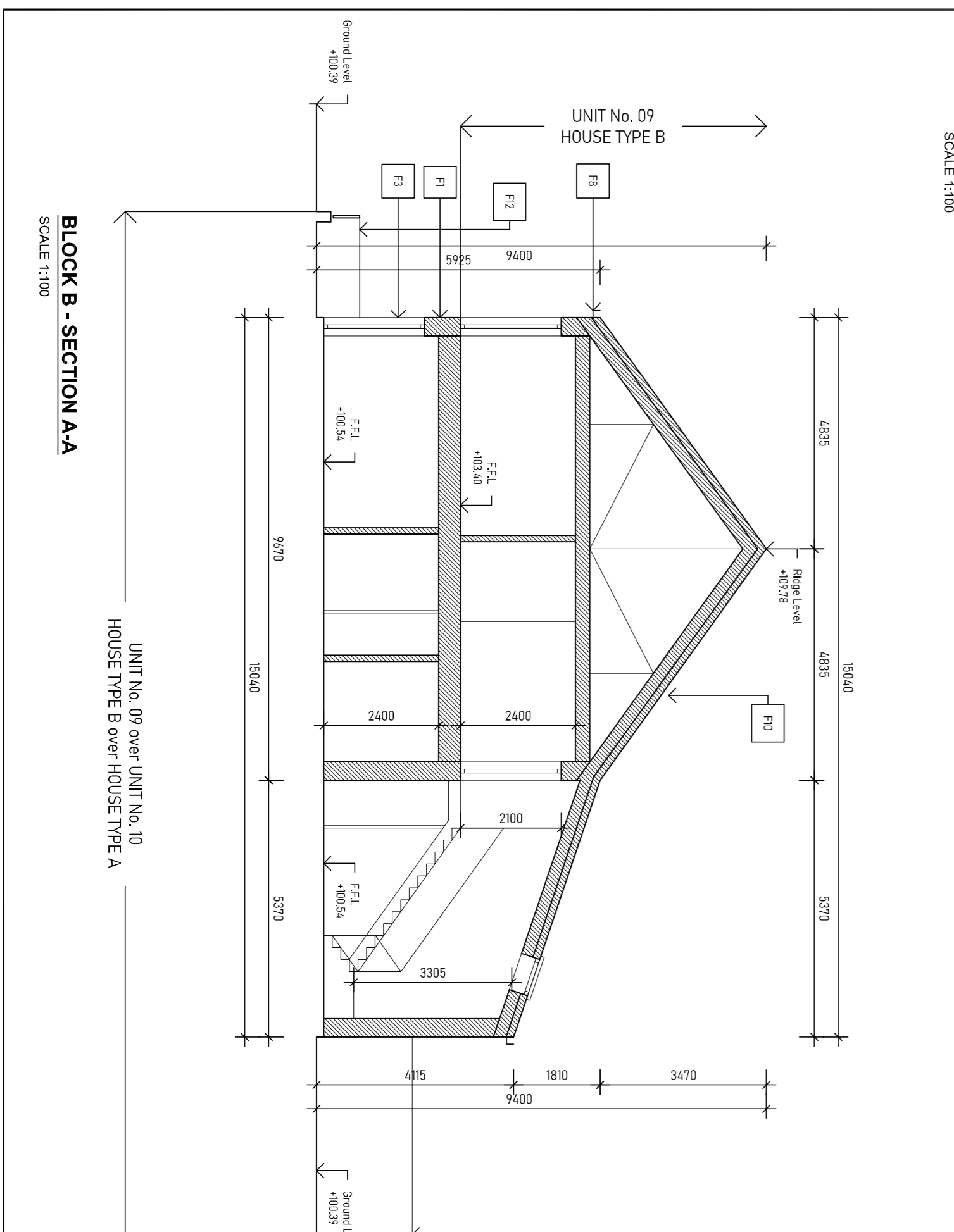
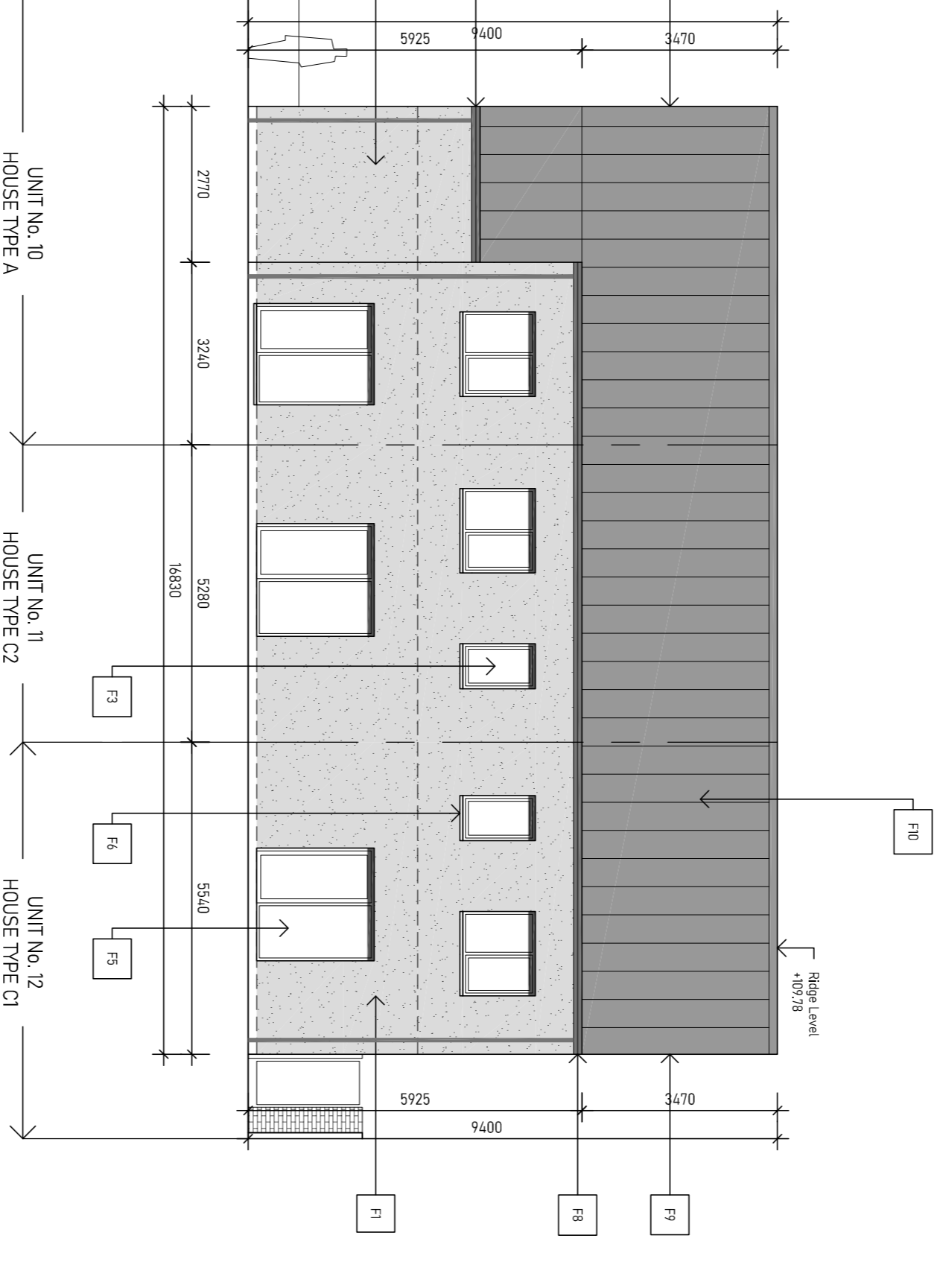
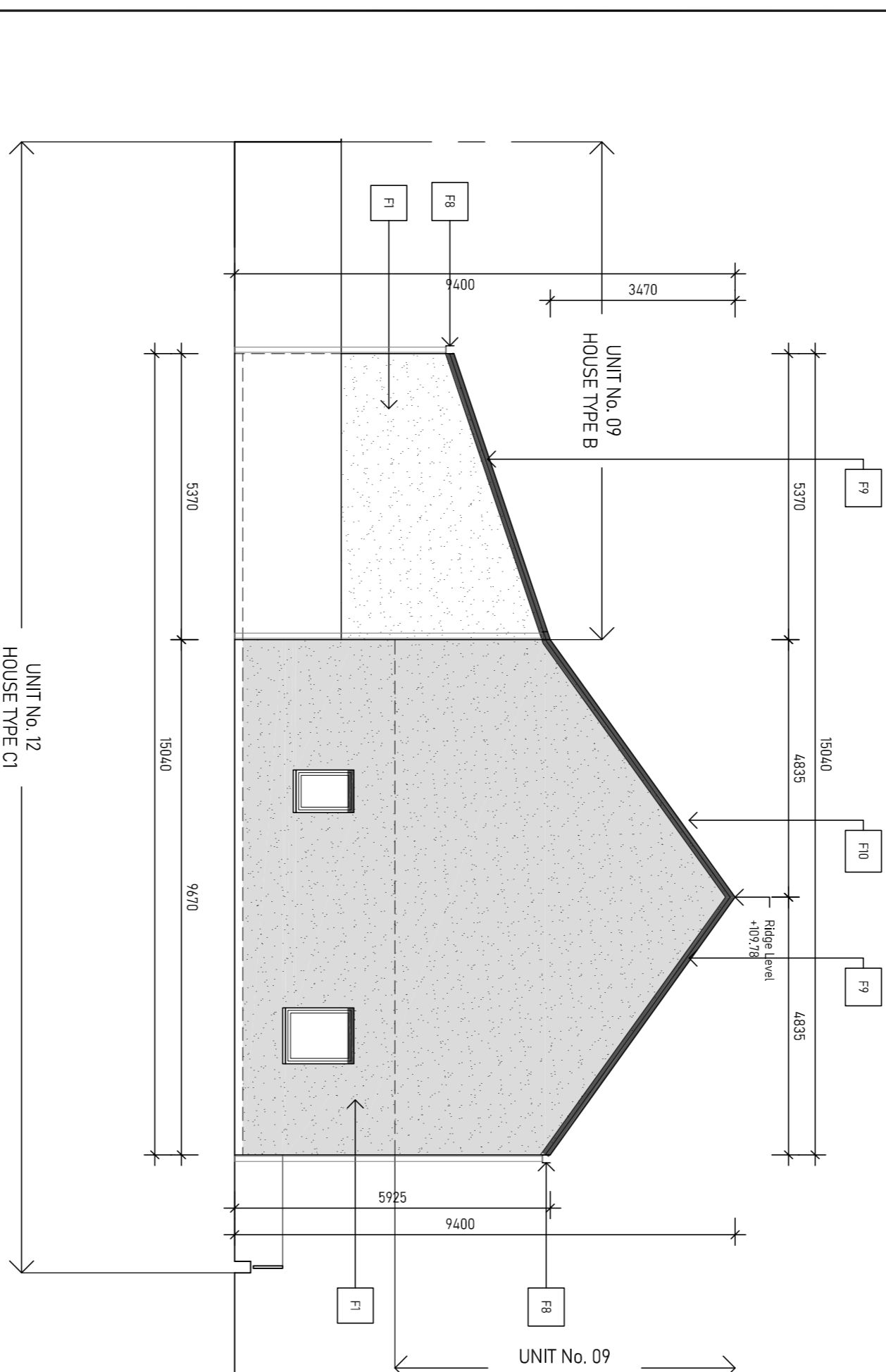


- Notes:**
- For all external finishes, refer to LCCCA Architects design statement and comply with same, and all proposed materials and finishes to be approved by the Employers Representative at detailed design stage, and prior to commencement of works.
 - F1: Selected rafter/rafter external wall finish to Employers Representative approval.
 - F2: Selected clay brick finish to Employers Representative approval.
 - F3: Selected Alu-Clad windows to Employers Representative approval.
 - F4: Selected Alu-Clad doors to Employers Representative approval.
 - F5: Selected Alu-Clad doors to Employers Representative approval.
 - F6: Selected Alu-Clad doors to Employers Representative approval.
 - F7: Selected Alu-Clad doors to Employers Representative approval.
 - F8: Selected Alu-Clad doors to Employers Representative approval.
 - F9: Selected Alu-Clad doors to Employers Representative approval.
 - F10: Selected Alu-Clad doors to Employers Representative approval.
 - F11: Selected Alu-Clad doors to Employers Representative approval.
 - F12: Selected Alu-Clad doors to Employers Representative approval.
 - F13: Selected Alu-Clad doors to Employers Representative approval.
 - F14: Selected Alu-Clad doors to Employers Representative approval.
 - F15: Selected Alu-Clad doors to Employers Representative approval.
 - F16: Selected Alu-Clad doors to Employers Representative approval.
 - F17: Selected Alu-Clad doors to Employers Representative approval.
 - F18: Selected Alu-Clad doors to Employers Representative approval.
 - F19: Selected Alu-Clad doors to Employers Representative approval.
 - F20: Selected Alu-Clad doors to Employers Representative approval.
 - F21: Selected Alu-Clad doors to Employers Representative approval.
 - F22: Selected Alu-Clad doors to Employers Representative approval.
 - F23: Selected Alu-Clad doors to Employers Representative approval.
 - F24: Selected Alu-Clad doors to Employers Representative approval.
 - F25: Selected Alu-Clad doors to Employers Representative approval.
 - F26: Selected Alu-Clad doors to Employers Representative approval.
 - F27: Selected Alu-Clad doors to Employers Representative approval.
 - F28: Selected Alu-Clad doors to Employers Representative approval.
 - F29: Selected Alu-Clad doors to Employers Representative approval.
 - F30: Selected Alu-Clad doors to Employers Representative approval.
 - F31: Selected Alu-Clad doors to Employers Representative approval.
 - F32: Selected Alu-Clad doors to Employers Representative approval.
 - F33: Selected Alu-Clad doors to Employers Representative approval.
 - F34: Selected Alu-Clad doors to Employers Representative approval.
 - F35: Selected Alu-Clad doors to Employers Representative approval.
 - F36: Selected Alu-Clad doors to Employers Representative approval.
 - F37: Selected Alu-Clad doors to Employers Representative approval.
 - F38: Selected Alu-Clad doors to Employers Representative approval.
 - F39: Selected Alu-Clad doors to Employers Representative approval.
 - F40: Selected Alu-Clad doors to Employers Representative approval.
 - F41: Selected Alu-Clad doors to Employers Representative approval.
 - F42: Selected Alu-Clad doors to Employers Representative approval.
 - F43: Selected Alu-Clad doors to Employers Representative approval.
 - F44: Selected Alu-Clad doors to Employers Representative approval.
 - F45: Selected Alu-Clad doors to Employers Representative approval.
 - F46: Selected Alu-Clad doors to Employers Representative approval.
 - F47: Selected Alu-Clad doors to Employers Representative approval.
 - F48: Selected Alu-Clad doors to Employers Representative approval.
 - F49: Selected Alu-Clad doors to Employers Representative approval.
 - F50: Selected Alu-Clad doors to Employers Representative approval.
 - F51: Selected Alu-Clad doors to Employers Representative approval.
 - F52: Selected Alu-Clad doors to Employers Representative approval.
 - F53: Selected Alu-Clad doors to Employers Representative approval.
 - F54: Selected Alu-Clad doors to Employers Representative approval.
 - F55: Selected Alu-Clad doors to Employers Representative approval.
 - F56: Selected Alu-Clad doors to Employers Representative approval.
 - F57: Selected Alu-Clad doors to Employers Representative approval.
 - F58: Selected Alu-Clad doors to Employers Representative approval.
 - F59: Selected Alu-Clad doors to Employers Representative approval.
 - F60: Selected Alu-Clad doors to Employers Representative approval.
 - F61: Selected Alu-Clad doors to Employers Representative approval.
 - F62: Selected Alu-Clad doors to Employers Representative approval.
 - F63: Selected Alu-Clad doors to Employers Representative approval.
 - F64: Selected Alu-Clad doors to Employers Representative approval.
 - F65: Selected Alu-Clad doors to Employers Representative approval.
 - F66: Selected Alu-Clad doors to Employers Representative approval.
 - F67: Selected Alu-Clad doors to Employers Representative approval.
 - F68: Selected Alu-Clad doors to Employers Representative approval.
 - F69: Selected Alu-Clad doors to Employers Representative approval.
 - F70: Selected Alu-Clad doors to Employers Representative approval.
 - F71: Selected Alu-Clad doors to Employers Representative approval.
 - F72: Selected Alu-Clad doors to Employers Representative approval.
 - F73: Selected Alu-Clad doors to Employers Representative approval.
 - F74: Selected Alu-Clad doors to Employers Representative approval.
 - F75: Selected Alu-Clad doors to Employers Representative approval.
 - F76: Selected Alu-Clad doors to Employers Representative approval.
 - F77: Selected Alu-Clad doors to Employers Representative approval.
 - F78: Selected Alu-Clad doors to Employers Representative approval.
 - F79: Selected Alu-Clad doors to Employers Representative approval.
 - F80: Selected Alu-Clad doors to Employers Representative approval.
 - F81: Selected Alu-Clad doors to Employers Representative approval.
 - F82: Selected Alu-Clad doors to Employers Representative approval.
 - F83: Selected Alu-Clad doors to Employers Representative approval.
 - F84: Selected Alu-Clad doors to Employers Representative approval.
 - F85: Selected Alu-Clad doors to Employers Representative approval.
 - F86: Selected Alu-Clad doors to Employers Representative approval.
 - F87: Selected Alu-Clad doors to Employers Representative approval.
 - F88: Selected Alu-Clad doors to Employers Representative approval.
 - F89: Selected Alu-Clad doors to Employers Representative approval.
 - F90: Selected Alu-Clad doors to Employers Representative approval.
 - F91: Selected Alu-Clad doors to Employers Representative approval.
 - F92: Selected Alu-Clad doors to Employers Representative approval.
 - F93: Selected Alu-Clad doors to Employers Representative approval.
 - F94: Selected Alu-Clad doors to Employers Representative approval.
 - F95: Selected Alu-Clad doors to Employers Representative approval.
 - F96: Selected Alu-Clad doors to Employers Representative approval.
 - F97: Selected Alu-Clad doors to Employers Representative approval.
 - F98: Selected Alu-Clad doors to Employers Representative approval.
 - F99: Selected Alu-Clad doors to Employers Representative approval.
 - F100: Selected Alu-Clad doors to Employers Representative approval.



Development Summary

Development	Area (sqm)	Volume (cu m)
Residential	21,100	1,100,000
Public	1,000	50,000
Other	500	25,000
Total	22,600	1,175,000

Key Plan

Schedule of Units

Unit No.	Area (sqm)	Volume (cu m)
01	100	5,000
02	100	5,000
03	100	5,000
04	100	5,000
05	100	5,000
06	100	5,000
07	100	5,000
08	100	5,000
09	100	5,000
10	100	5,000
11	100	5,000
12	100	5,000
13	100	5,000
14	100	5,000
15	100	5,000
16	100	5,000
17	100	5,000
18	100	5,000
19	100	5,000
20	100	5,000
21	100	5,000
22	100	5,000
23	100	5,000
24	100	5,000
25	100	5,000
26	100	5,000
27	100	5,000
28	100	5,000
29	100	5,000
30	100	5,000
31	100	5,000
32	100	5,000
33	100	5,000
34	100	5,000
35	100	5,000
36	100	5,000
37	100	5,000
38	100	5,000
39	100	5,000
40	100	5,000
41	100	5,000
42	100	5,000
43	100	5,000
44	100	5,000
45	100	5,000
46	100	5,000
47	100	5,000
48	100	5,000
49	100	5,000
50	100	5,000
51	100	5,000
52	100	5,000
53	100	5,000
54	100	5,000
55	100	5,000
56	100	5,000
57	100	5,000
58	100	5,000
59	100	5,000
60	100	5,000
61	100	5,000
62	100	5,000
63	100	5,000
64	100	5,000
65	100	5,000
66	100	5,000
67	100	5,000
68	100	5,000
69	100	5,000
70	100	5,000
71	100	5,000
72	100	5,000
73	100	5,000
74	100	5,000
75	100	5,000
76	100	5,000
77	100	5,000
78	100	5,000
79	100	5,000
80	100	5,000
81	100	5,000
82	100	5,000
83	100	5,000
84	100	5,000
85	100	5,000
86	100	5,000
87	100	5,000
88	100	5,000
89	100	5,000
90	100	5,000
91	100	5,000
92	100	5,000
93	100	5,000
94	100	5,000
95	100	5,000
96	100	5,000
97	100	5,000
98	100	5,000
99	100	5,000
100	100	5,000

FOR PLANNING PURPOSES ONLY NOT FOR CONSTRUCTION

REVISIONS

DATE	REV.	BY	CHECKED	DESCRIPTION

Limerick City & County Council
Urban Housing Construction & Maintenance
Department
Tel: 061-556000

PROJECT:
18 no. HOUSING UNITS AT BRUGH NA DEISE, BRUFF, COUNTY LIMERICK

SECTION 179A

DRAWING TITLE:
PROPOSED BLOCK B GA DRAWINGS ELEVATIONS & SECTIONS 1:100

DATE: 28th February 2024
SCALE: 1:100
DRAWN: BR
CHECKED: -
JOB NO.: 19101
FILE NAME: -

DRAWING NO.: 19101-302
SHEET SIZE: RENISKON A1