

Notes:

NOTES

- POLE TOP LUMINAIRES INSTALLED COMPLETE WITH INTEGRAL PHOTOCELL.
- LIGHTING CABLED IN 3 X 6.0MMSQ XLPE/SWA/PVC/Cu CABLE RATED FOR USE IN DUCTS
- LUMINAIRES SHALL BE SWITCHED THROUGH INTEGRAL PHOTOCELL IN EACH LUMINAIRE
- THE ELECTRICAL CONTRACTOR SHALL SUPPLY, INSTALL, TEST AND COMMISSION ALL LIGHTING POLES, POLE TOP LUMINAIRES, POLE CUT-OUTS AND SUNDRY ITEMS
- ALL ELECTRICAL WORKS SHALL BE CARRIED OUT IN STRICT ACCORDANCE WITH IS10101:2020 NATIONAL RULES FOR ELECTRICAL INSTALLATIONS 4TH EDITION.
- THE CONTRACTOR SHALL EMPLOY THE SERVICES OF A SPECIALIST STREET LIGHTING CONTRACTOR TO CARRY OUT THE SUPPLY AND INSTALLATION, TESTING, INSPECTION, COMMISSIONING AND HANDOVER OF THE STREET LIGHTING.
- THE SPECIALIST STREET LIGHTING CONTRACTOR SHALL BE APPROVED BY DONEGAL COUNTY COUNCIL.
- THIS IS A LAYOUT DRAWING. DO NOT SCALE FROM THIS DRAWING, USE ARCHITECTS DRAWINGS TO TAKE FIGURED DIMENSIONS. ACTUAL DIMENSIONS SHOULD BE MEASURED BY MEANS OF A SITE VISIT.
- DESIGN AND INSTALLATION SHALL BE CARRIED OUT IN STRICT ACCORDANCE WITH DONEGAL COUNTY COUNCILS STREET LIGHTING POLICY

- NEW PL PROPOSED PUBLIC LIGHTING DUCTING ROUTE (230V Supply) 50MM RED IN COLOUR
- PROPOSED ESB DUCT FROM MINIPILLAR DUCTING ROUTE 50MM RED IN COLOUR
- MINIPILLAR
- MICROPILLAR (STREET LIGHTING)
- STREET LIGHT LOCATION

- Key
- Luminaire A Column
 - Luminaire B Column
 - Beam Aiming Target
 - Photometric Centre

P1	Preliminary - Revised Layout	RY	19.02.24
P	Preliminary	RY	23.01.24
REV:	DESCRIPTION:	BY:	DATE:
STATUS:			

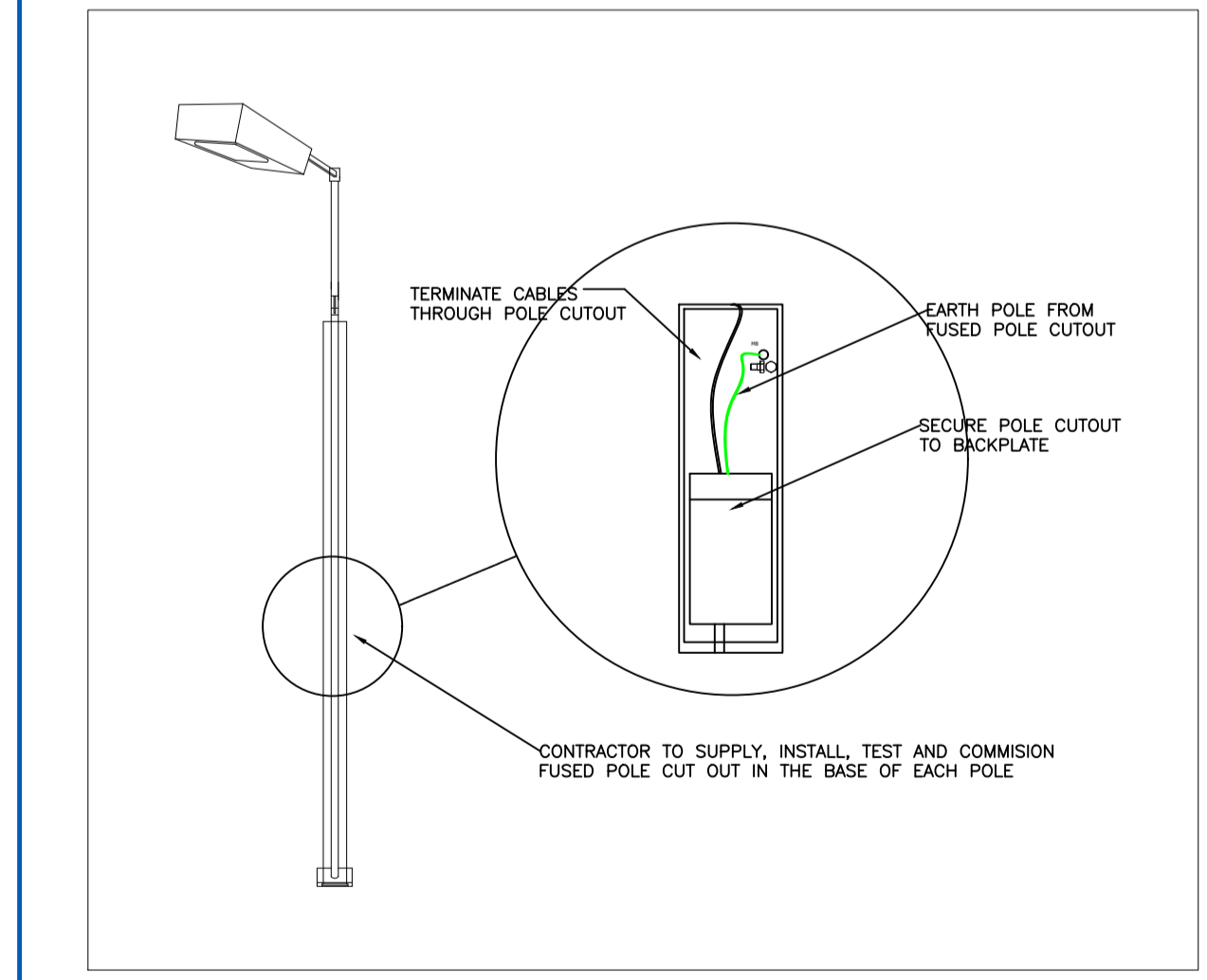
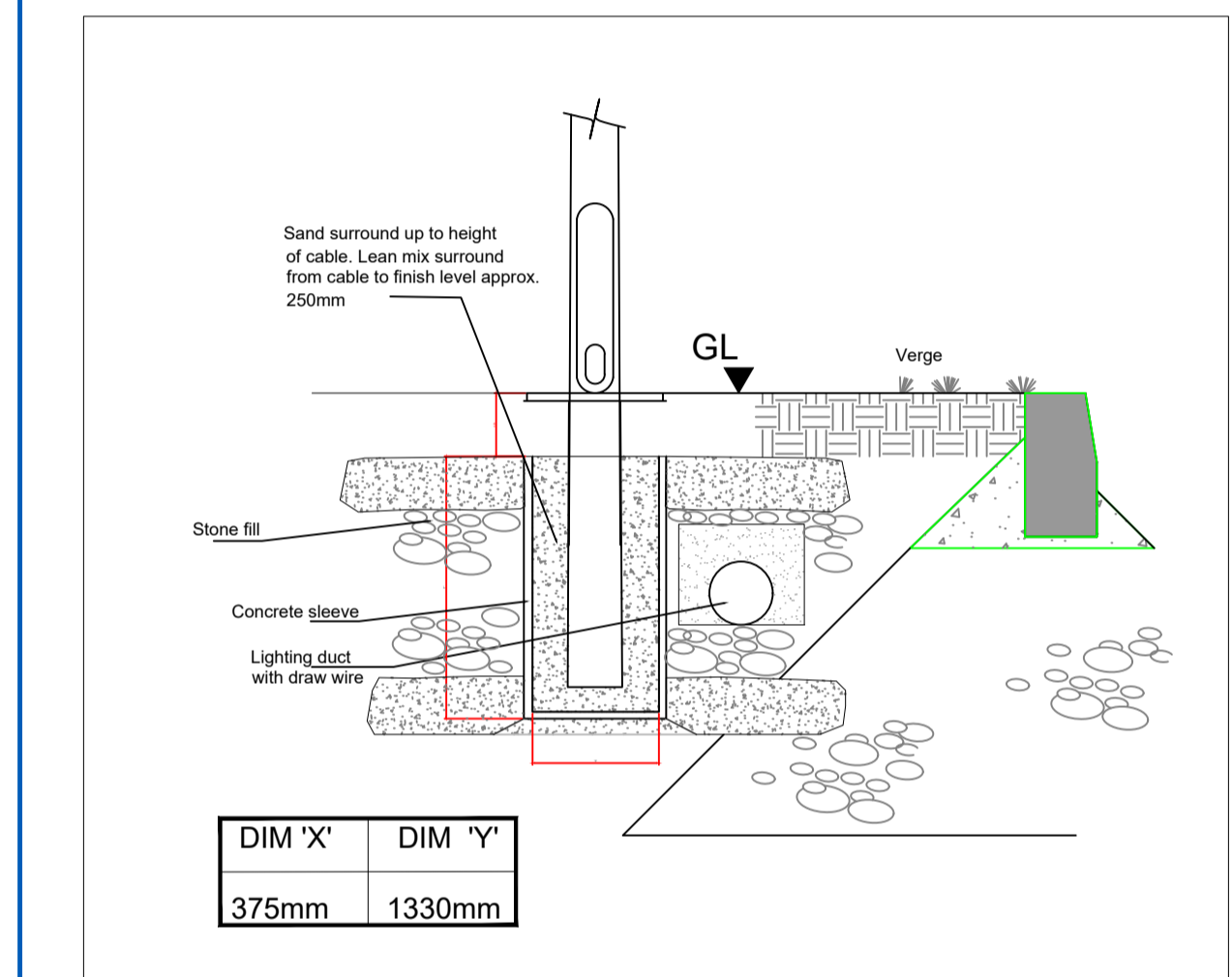
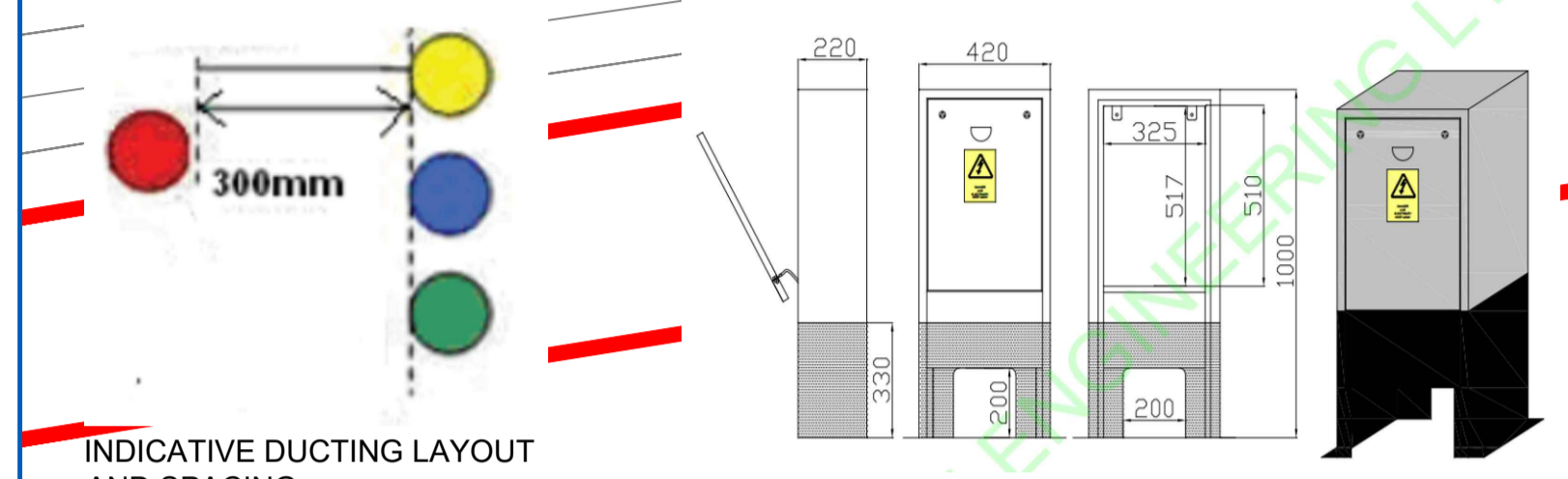
CBS Consulting Engineers
MECHANICAL & ELECTRICAL ENGINEERS

Limerick City & County Council

SITE: Brugh na nDeise
Bruff, Co Limerick

TITLE: Public Lighting & Ducting Design

SCALE AT A1:	DATE:	DRAWN:	CHECKED:
1:250	23.01.24	RY	RY
PROJECT NO:	DRAWING NO:	REVISION:	
	E800	P1	



Luminaire Data
 Luminaire A MPG-1N-30W MICROPLUS GERMANY 4000K 4500lm
 Luminaire B Existing Street Lighting Column in Existing Estate